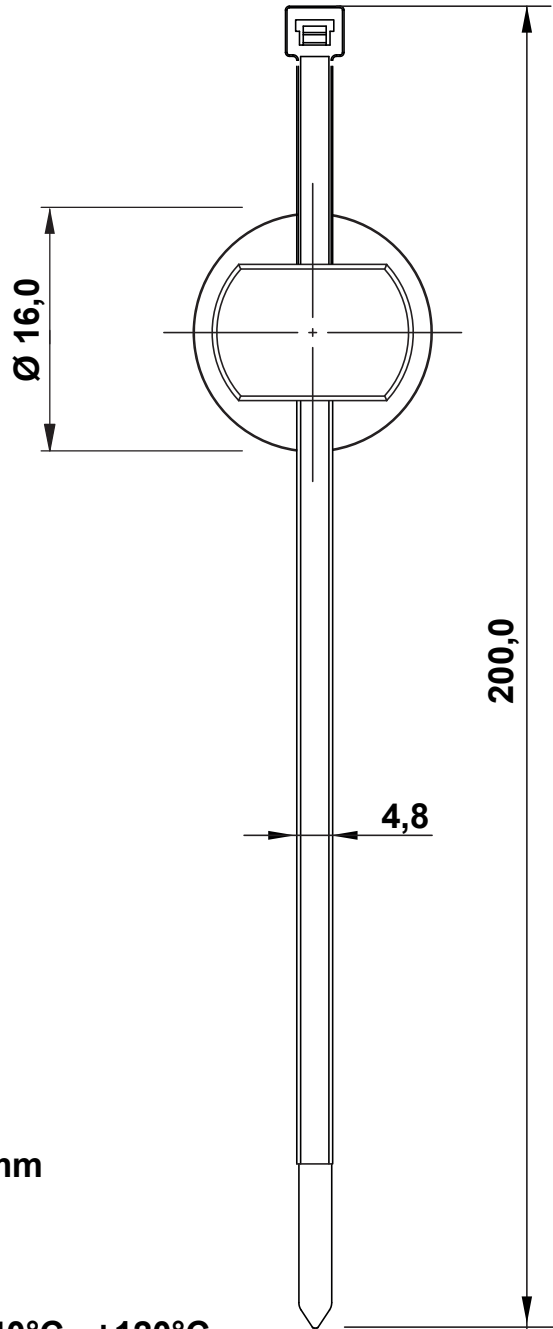
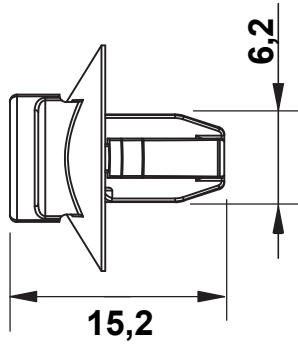


DIM.	TOL.
5mm DOWN	±0.2
5~20mm	±0.3
20~40mm	±0.4
40~60mm	±0.5
60~100mm	±0.8
100mm UP	±1.0



REVISIONS			
REV	DESCRIPTION	DATE	BY



**MOUNTING HOLE Ø 6,5 - 7,0mm**  
**THICKNESS 0,6 - 3,0mm**  
**Insertion Force <60N**  
**Pull Force >150N**  
**WORKING TEMPERATURE: -40°C...+120°C**



TITLE		<b>PUSH TIE HOLDER + TIE</b>	
MATERIAL		PA 66 heat stabilized	DATE 02/10/2024
		DRAWN	S.W.
COLOR		BLACK	CHECK
PART NUMBER	DRAWING NUMBER	UNLESS OTHERWISE SPECIFIED TOLERANCE	
18438AA01	25/07/07.18438.E	DINISO2768 - mK	
SIZE	SCALE	UNIT	REV
A4	NTS	mm.	A
		APPROVED	