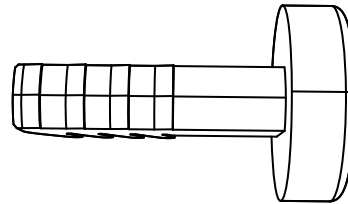
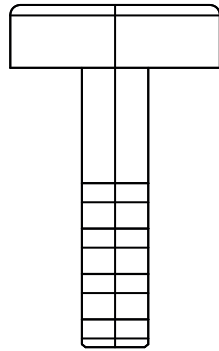
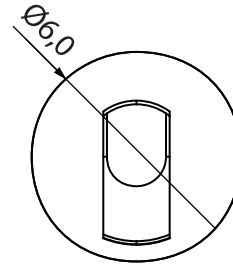
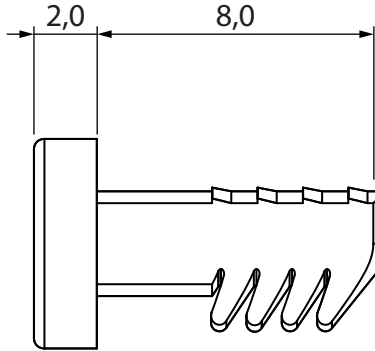


DIM.	TOL.
5mm DOWN	±0.2
5~20mm	±0.3
20~40mm	±0.4
40~60mm	±0.5
60~100mm	±0.8
100mm UP	±1.0

REVISIONS			
REV	DESCRIPTION	DATE	BY



P/N	COLOUR
19540AA01	BLACK
19540AA00	NATURAL

**MOUNTING HOLE: Ø3,3**  
**PANEL THICKNESS: 3,5 - 6,3**  
**LENGHT: 7,8**

		TITLE <b>PINE TREE CLIP</b>	
		MATERIAL PA66 V2(UL94)	DATE 16/04/2025
PART NUMBER SEE TABLE		DRAWING NUMBER 25.04.16.19540.0.E	
DRAWN E.B.		COLOR SEE TABLE	CHECK
SIZE A4	SCALE NTS	UNIT mm.	REV A
UNLESS OTHERWISE SPECIFIED TOLERANCE SEE ABOVE		APPROVED	