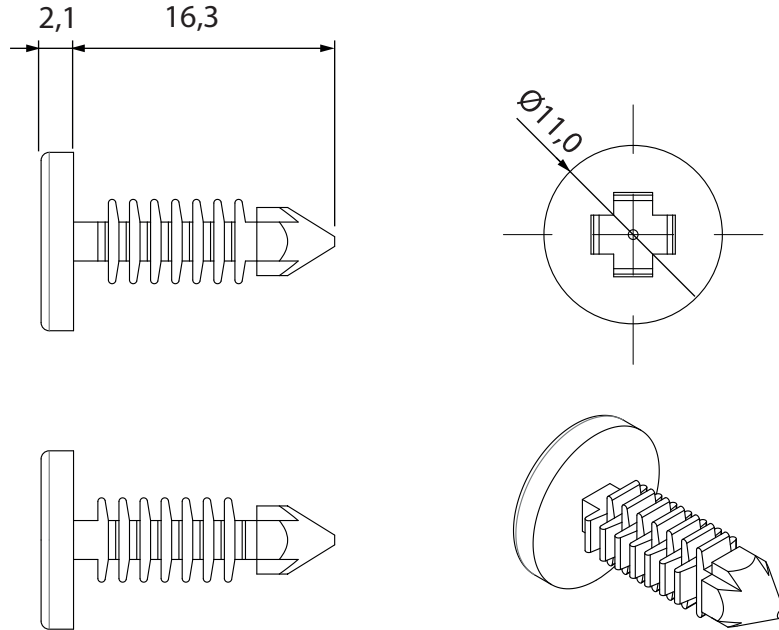


DIM.	TOL.
5mm DOWN	±0.2
5~20mm	±0.3
20~40mm	±0.4
40~60mm	±0.5
60~100mm	±0.8
100mm UP	±1.0

REVISIONS			
REV	DESCRIPTION	DATE	BY



P/N	COLOUR
19546AA01	BLACK
19546AA00	NATURAL

MOUNTING HOLE: Ø4,8
PANEL THICKNESS: 2,0 - 10,0

		TITLE PINE TREE CLIP	
		MATERIAL PA66 V2(UL94)	DATE 16/04/2025
PART NUMBER SEE TABLE		DRAWING NUMBER 25.04.16.19546.0.E	
DRAWN E.B.		COLOR SEE TABLE	CHECK
SIZE A4	SCALE NTS	UNIT mm.	REV A
UNLESS OTHERWISE SPECIFIED TOLERANCE SEE ABOVE		APPROVED	