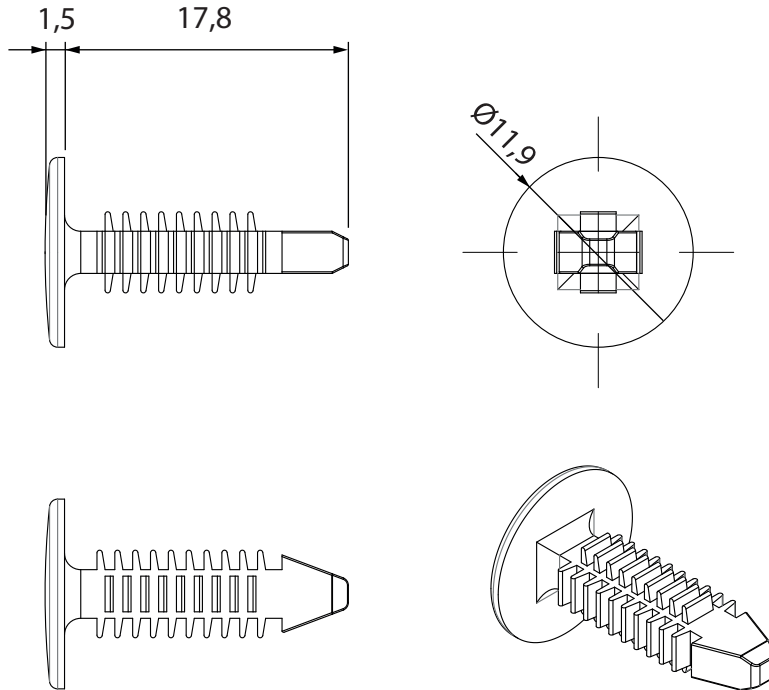


DIM.	TOL.
5mm DOWN	±0.2
5~20mm	±0.3
20~40mm	±0.4
40~60mm	±0.5
60~100mm	±0.8
100mm UP	±1.0

REVISIONS			
REV	DESCRIPTION	DATE	BY



P/N	COLOUR
19547AA01	BLACK
19547AA00	NATURAL

MOUNTING HOLE: Ø4,8
PANEL THICKNESS: 2,5 - 15,2

				TITLE PINE TREE CLIP	
				MATERIAL PA66 V2(UL94)	DATE 16/04/2025
PART NUMBER SEE TABLE				DRAWN E.B.	
				DRAWING NUMBER 25.04.16.19547.0.E	
SIZE A4				COLOR SEE TABLE	
				CHECK	
SCALE NTS				UNLESS OTHERWISE SPECIFIED TOLERANCE SEE ABOVE	
				APPROVED	
UNIT mm.				REV A	