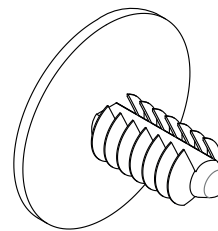
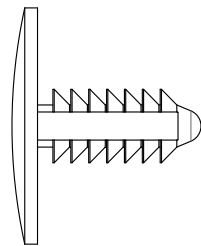
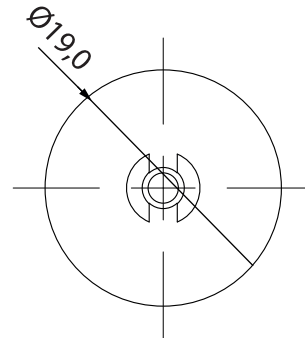
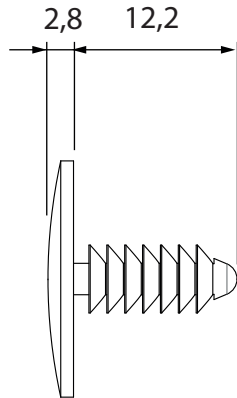


DIM.	TOL.
5mm DOWN	±0.2
5~20mm	±0.3
20~40mm	±0.4
40~60mm	±0.5
60~100mm	±0.8
100mm UP	±1.0

REVISIONS			
REV	DESCRIPTION	DATE	BY



P/N	COLOUR
19548AA01	BLACK
19548AA00	NATURAL

**MOUNTING HOLE: Ø4,8**  
**PANEL THICKNESS: 0,7 - 8,0**

				TITLE <b>PINE TREE CLIP</b>	
				MATERIAL PA66 V2(UL94)	DATE 16/04/2025
PART NUMBER SEE TABLE				DRAWN E.B.	
				CHECK	
DRAWING NUMBER 25.04.16.19548.0.E				COLOR SEE TABLE	
SIZE A4	SCALE NTS	UNIT mm.	REV A	UNLESS OTHERWISE SPECIFIED TOLERANCE SEE ABOVE	
				APPROVED	