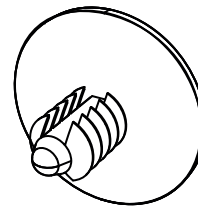
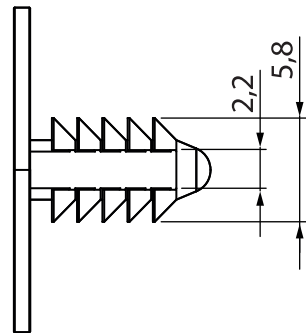
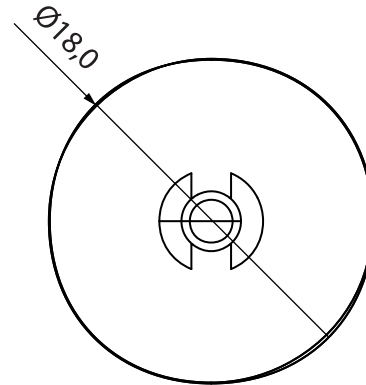
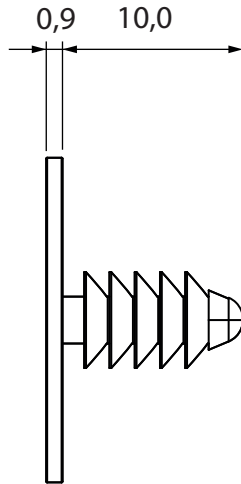


| DIM. | TOL. |
|----------|------|
| 5mm DOWN | ±0.2 |
| 5~20mm | ±0.3 |
| 20~40mm | ±0.4 |
| 40~60mm | ±0.5 |
| 60~100mm | ±0.8 |
| 100mm UP | ±1.0 |

| REVISIONS | | | |
|-----------|-------------|------|----|
| REV | DESCRIPTION | DATE | BY |
| | | | |
| | | | |



| P/N | COLOUR |
|-----------|---------|
| 19549AA01 | BLACK |
| 19549AA00 | NATURAL |

MOUNTING HOLE: Ø4,8
PANEL THICKNESS: 0,7 - 7,0

| | | | |
|--------------------------------------|--------------|---------------------------------------------------|--------------------|
| | | TITLE PINE TREE CLIP | |
| | | MATERIAL PA66 V2(UL94) | DATE 16/04/2025 |
| PART NUMBER SEE TABLE | | DRAWN E.B. | |
| DRAWING NUMBER 25.04.16.19549.0.E | | CHECK | |
| SIZE A4 | SCALE NTS | COLOR SEE TABLE | APPROVED |
| UNIT mm. | REV A | UNLESS OTHERWISE SPECIFIED TOLERANCE SEE ABOVE | |