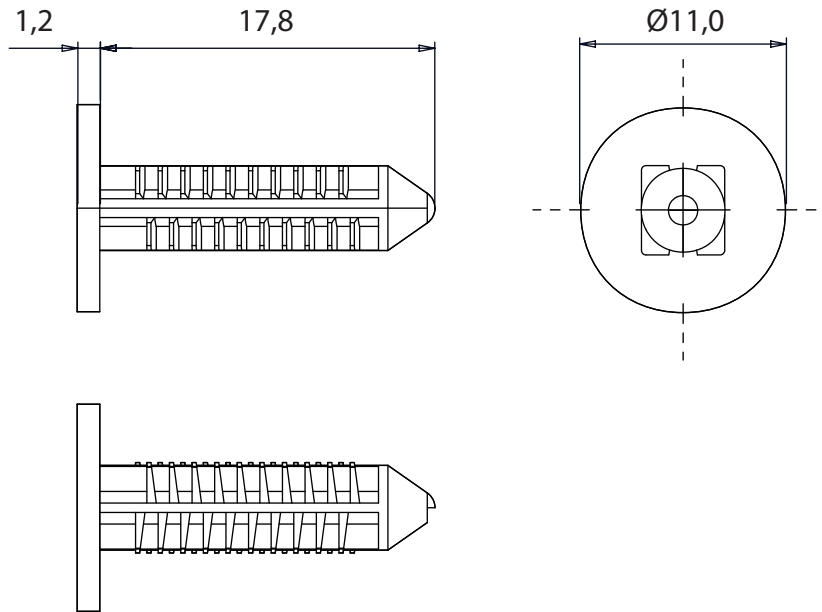


DIM.	TOL.
5mm DOWN	±0.2
5~20mm	±0.3
20~40mm	±0.4
40~60mm	±0.5
60~100mm	±0.8
100mm UP	±1.0

REVISIONS			
REV	DESCRIPTION	DATE	BY



P/N	COLOUR
19551AA01	BLACK
19551AA00	NATURAL
19551AA02	WHITE

MOUNTING HOLE: Ø5,0
PANEL THICKNESS: 4,0 - 14,0

		TITLE PINE TREE CLIP	
		MATERIAL PA66	DATE 17/04/2025
PART NUMBER SEE TABLE		DRAWN E.B.	
DRAWING NUMBER 25.04.17.19551.0.E		CHECK	
SIZE A4	SCALE NTS	COLOR SEE TABLE	APPROVED
UNIT mm.	REV A	UNLESS OTHERWISE SPECIFIED TOLERANCE SEE ABOVE	