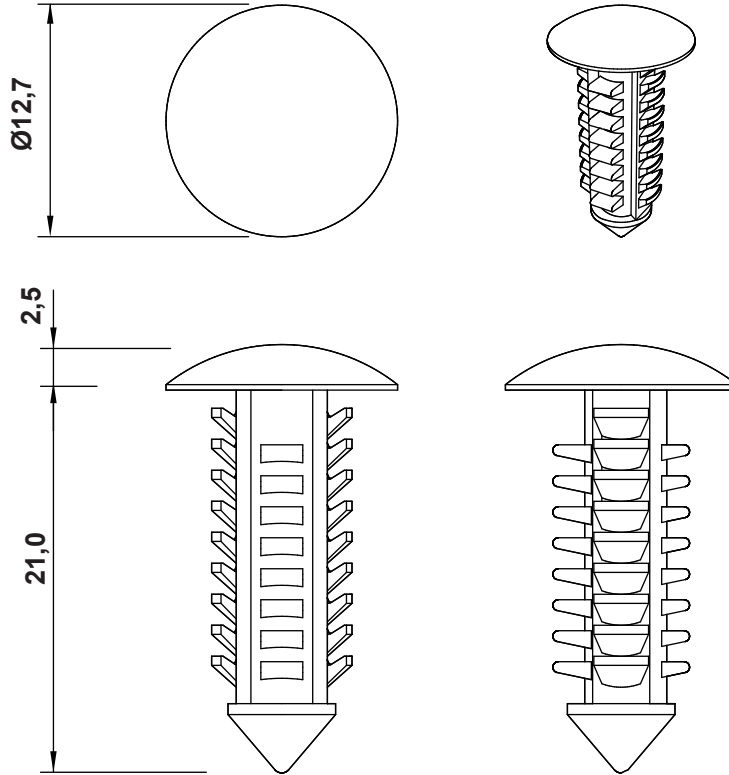


DIM.	TOL.
5mm DOWN	±0.2
5~20mm	±0.3
20~40mm	±0.4
40~60mm	±0.5
60~100mm	±0.8
100mm UP	±1.0

REVISIONS			
REV	DESCRIPTION	DATE	BY



P/N	COLOUR
19557AA01	BLACK
19557AA00	NATURAL
19557AA02	WHITE

MOUNTING HOLE: Ø6,4
THICKNESS: 0,9-15,0

		TITLE PINE TREE CLIP	
		MATERIAL PA 6.6 V2(UL94)	DATE 17/04/2025
PART NUMBER SEE TABLE		DRAWING NUMBER 25/04/14.19557.E	
DRAWN A.C.		CHECK	
SIZE A4	SCALE NTS	UNIT mm.	REV A
UNLESS OTHERWISE SPECIFIED TOLERANCE SEE ABOVE		APPROVED	