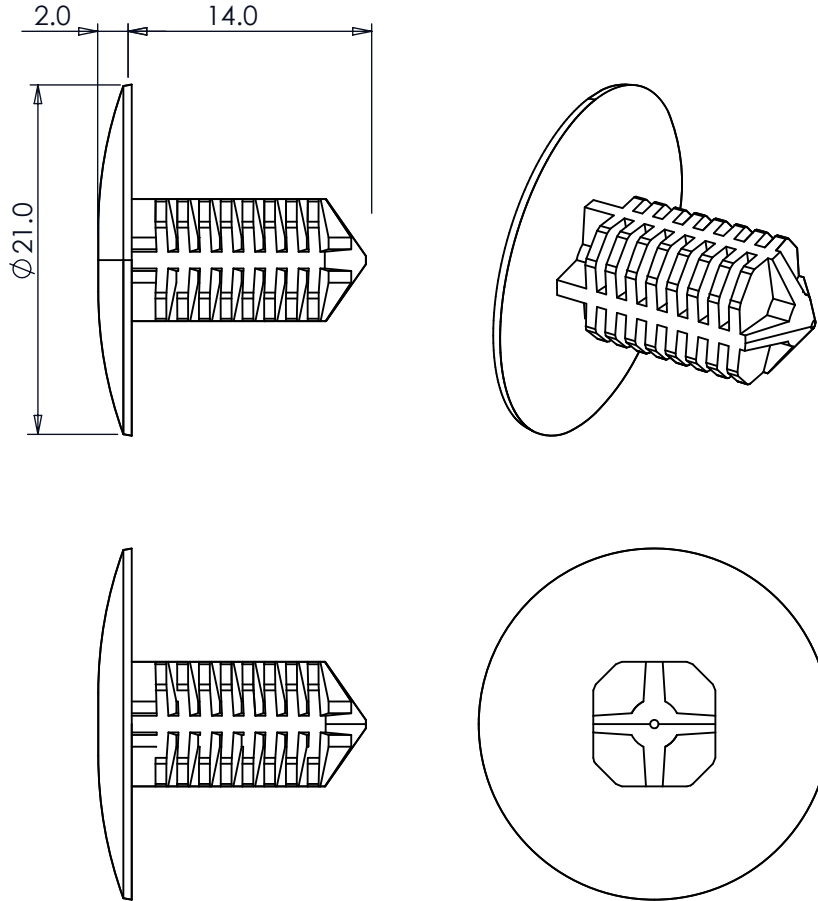


DIM.	TOL.
5mm DOWN	±0.2
5~20mm	±0.3
20~40mm	±0.4
40~60mm	±0.5
60~100mm	±0.8
100mm UP	±1.0

REVISIONS			
REV	DESCRIPTION	DATE	BY



P/N	COLOUR
19567AA01	BLACK
19567AA00	NATURAL

**HOLE: Ø 8,0**  
**PANEL THICKNESS: 3,0 - 10,0**

		TITLE <b>PINE TREE CLIP</b>	
		MATERIAL PA 6.6 V2(UL94)	DATE 18/04/2025
PART NUMBER SEE TABLE		DRAWING NUMBER 25/04/18.19567.E	
DRAWN A.C.		CHECK	
SIZE A4	SCALE 2:1	UNIT mm.	REV A
UNLESS OTHERWISE SPECIFIED TOLERANCE SEE ABOVE		APPROVED	