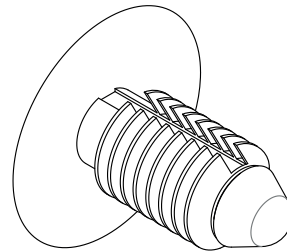
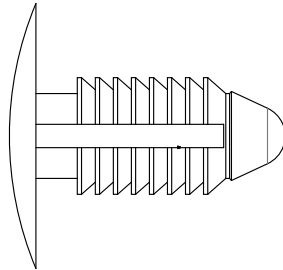
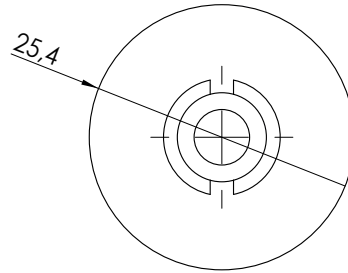
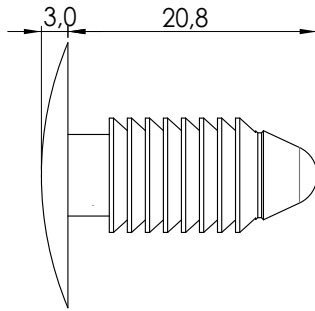


DIM.	TOL.
5mm DOWN	±0.2
5~20mm	±0.3
20~40mm	±0.4
40~60mm	±0.5
60~100mm	±0.8
100mm UP	±1.0

REVISIONS			
REV	DESCRIPTION	DATE	BY



P/N	COLOUR
19568AA01	BLACK
19568AA00	NATURAL

MOUNTING HOLE: Ø10,3
PANEL THICKNESS: 2,9 - 14,4

				TITLE PINE TREE CLIP	
				MATERIAL PA 66 V2(UL94)	DATE 17/04/2025
PART NUMBER SEE TABLE				DRAWN E.B.	
				DRAWING NUMBER 25.04.17.19568.E	
SIZE A4				COLOR SEE TABLE	
				CHECK	
SCALE NTS				UNLESS OTHERWISE SPECIFIED TOLERANCE SEE ABOVE	
				APPROVED	
UNIT mm.				REV A	