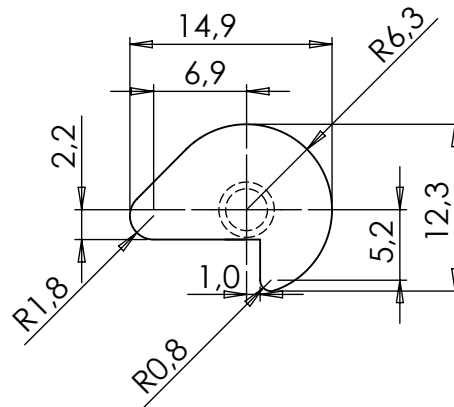
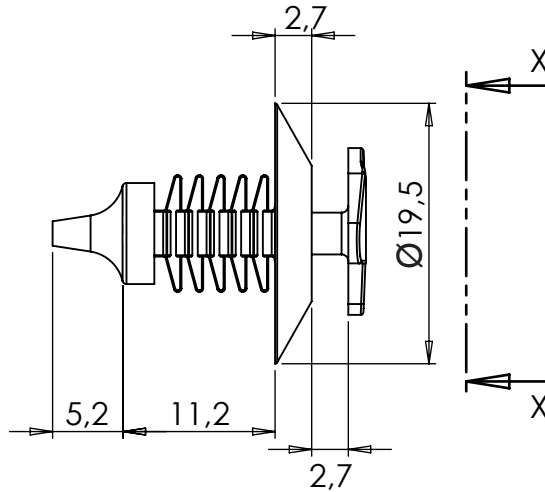
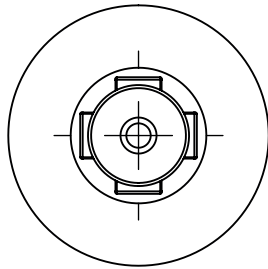


DIM.	TOL.
5mm DOWN	±0.2
5~20mm	±0.3
20~40mm	±0.4
40~60mm	±0.5
60~100mm	±0.8
100mm UP	±1.0

REVISIONS			
REV	DESCRIPTION	DATE	BY



SECTION X-X
TWIST-IN DETAIL

MOUNTING HOLE: Ø8,0
PANEL THICKNESS: 1,5 - 7,5

				TITLE TRIM CLIP - DOUBLE HEADED	
				MATERIAL PA 66 V2(UL94)	DATE 17/04/2025
PART NUMBER 19572AA00 DRAWING NUMBER 25.04.17.19572.0.E				DRAWN E.B.	
				CHECK	
SIZE A4	SCALE NTS	UNIT mm.	REV A	COLOR NATURAL	UNLESS OTHERWISE SPECIFIED TOLERANCE SEE ABOVE
				APPROVED	