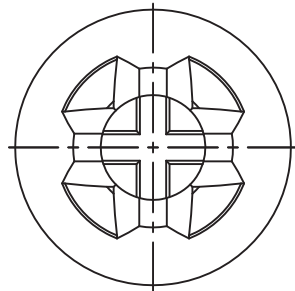
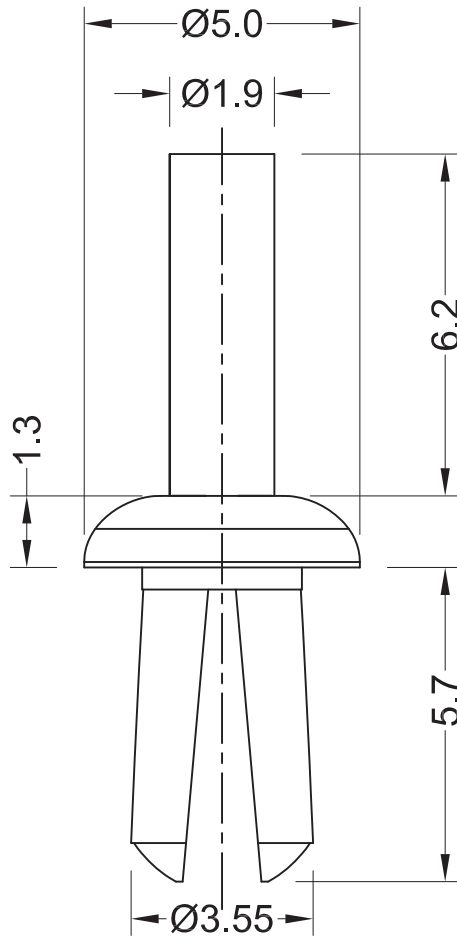


DIM.	TOL.
$L \leq 4$	± 0.10
$4 < L \leq 15$	± 0.20
$15 < L \leq 50$	± 0.30
$50 < L \leq 100$	± 0.40



MOUNTING HOLE: $\varnothing 3,0^{\pm 0,08}$
THICKNESS: 1,0-4,0

P/N	COLOR
19715AA00	NATURAL
19715AA01	BLACK

REVISIONS			
REV	DESCRIPTION	DATE	BY



		TITLE PUSH RIVET BLUNT	
		MATERIAL PA 6 V2(UL94)	DATE 17/07/25
PART NUMBER SEE ABOVE		DRAWN A.C.	
DRAWING NUMBER 25/07/17.19715.E		CHECK	
SIZE A4	SCALE NTS	COLOR SEE ABOVE	APPROVED
UNIT mm.	REV A	UNLESS OTHERWISE SPECIFIED TOLERANCE SEE ABOVE	