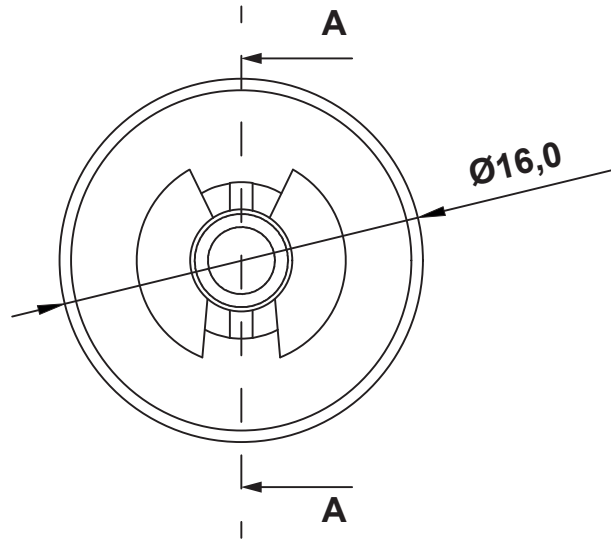
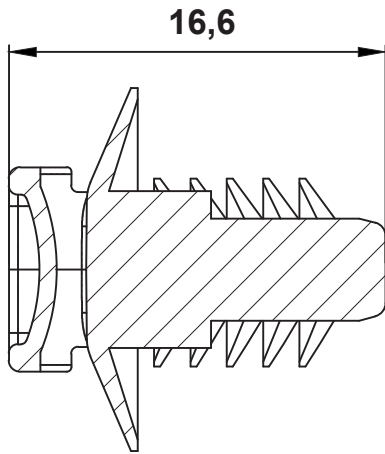
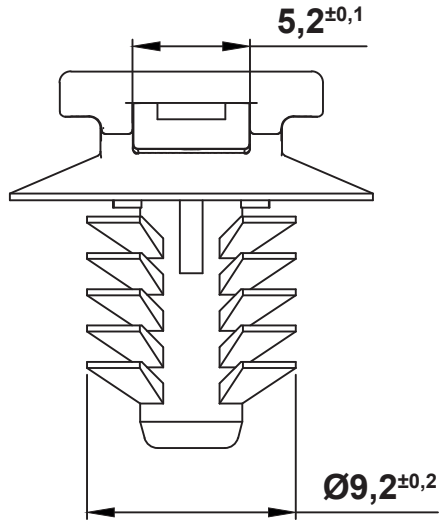
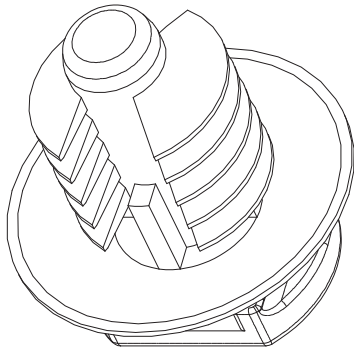


DIM.	TOL.
5mm DOWN	±0.2
5~20mm	±0.3
20~40mm	±0.4
40~60mm	±0.5
60~100mm	±0.8
100mm UP	±1.0

REVISIONS			
REV	DESCRIPTION	DATE	BY




**SECTION A-A**

**MOUNTING HOLE: Ø 7,5 - Ø 8,5±0,2**

**THICKNESS: 1,0- 5,0**

**INSERTION FORCE ≤50N, EXTRACTION FORCE ≥150N.**

**WORKING TEMPERATURE: -40°C...+120°C**

		TITLE <b>PUSH MOUNT CABLE TIE</b>	
		MATERIAL PA 6.6 heat stabilized	DATE 18/07/2025
PART NUMBER 19716AT01		DRAWN A.C.	
DRAWING NUMBER 25/07/18.19716.E		CHECK	
SIZE A4	SCALE NTS	COLOR BLACK	APPROVED
UNIT mm.	REV A	UNLESS OTHERWISE SPECIFIED TOLERANCE SEE ABOVE	