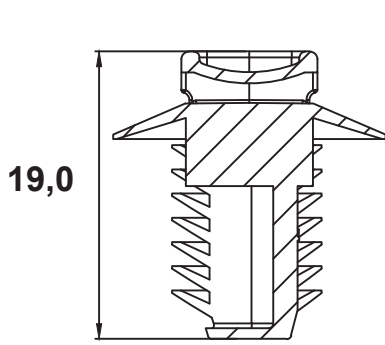
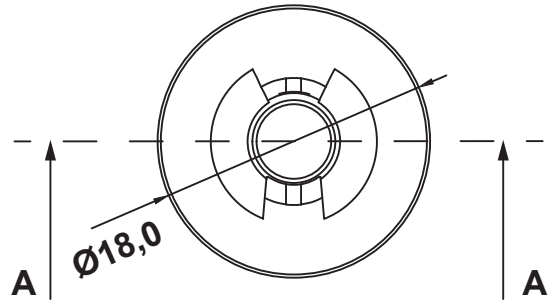
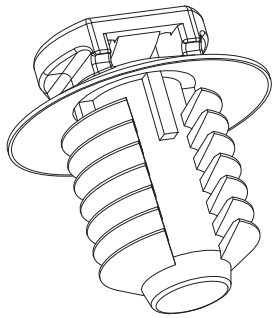
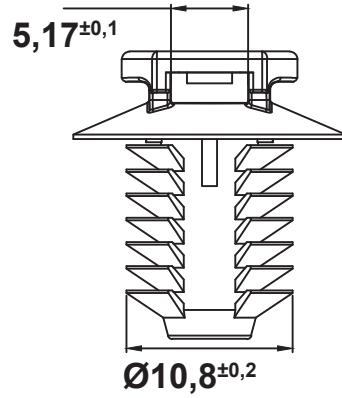


DIM.	TOL.
5mm DOWN	±0.2
5~20mm	±0.3
20~40mm	±0.4
40~60mm	±0.5
60~100mm	±0.8
100mm UP	±1.0


REVISIONS			
REV	DESCRIPTION	DATE	BY



SECTION A-A



**MOUNTING HOLE: Ø 9,0±0,2 - Ø 10,0±0,2**  
**THICKNESS: 1,0- 5,0**  
**WORKING TEMPERATURE: -40°C...+120°C**

			TITLE <b>PUSH MOUNT CABLE TIE</b>		
			MATERIAL PA 6.6 heat stabilized	DATE 18/07/2025	
PART NUMBER 19717AT01		DRAWING NUMBER 25/07/18.19717.E		COLOR BLACK	CHECK
SIZE A4	SCALE NTS	UNIT mm.	REV A	UNLESS OTHERWISE SPECIFIED TOLERANCE SEE ABOVE	APPROVED