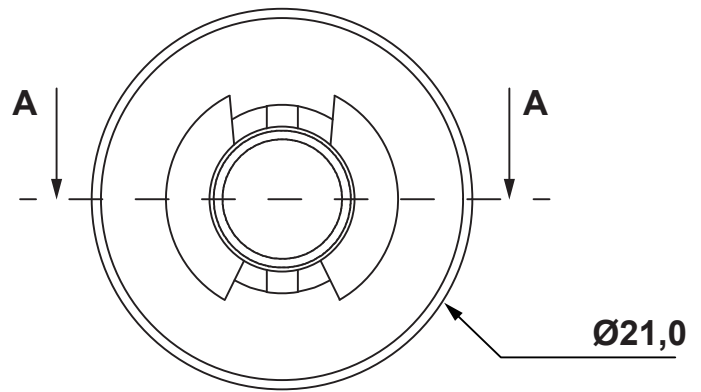
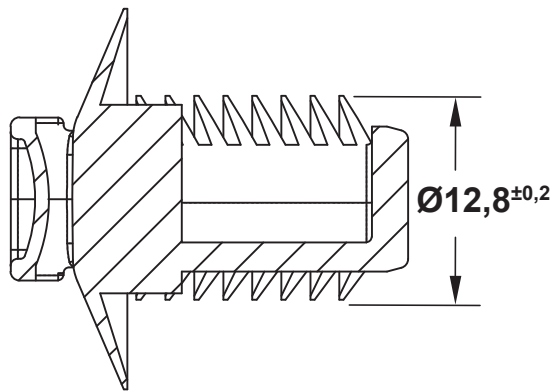
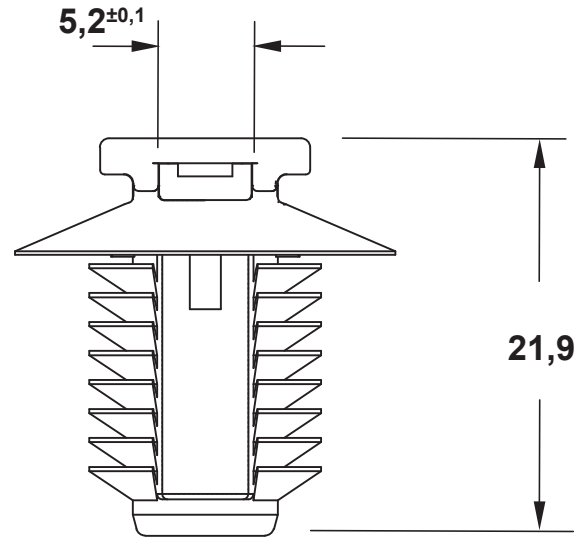


DIM.	TOL.
5mm DOWN	±0.2
5~20mm	±0.3
20~40mm	±0.4
40~60mm	±0.5
60~100mm	±0.8
100mm UP	±1.0

REVISIONS			
REV	DESCRIPTION	DATE	BY




SECTION A-A

MOUNTING HOLE: Ø11,0-Ø12,0±0,2

THICKNESS: 1,0-5,0

INSERTION FORCE ≤50N, EXTRACTION FORCE ≥150N.

WORKING TEMPERATURE: -40°C...+120°C

		TITLE PUSH MOUNT CABLE TIE	
		MATERIAL PA 6.6 heat stabilized	DATE 18/07/2025
PART NUMBER 19718AT01		DRAWN A.C.	
DRAWING NUMBER 25/07/18.19718.E		CHECK	
SIZE A4	SCALE NTS	COLOR BLACK	APPROVED
UNIT mm.	REV A	UNLESS OTHERWISE SPECIFIED TOLERANCE SEE ABOVE	