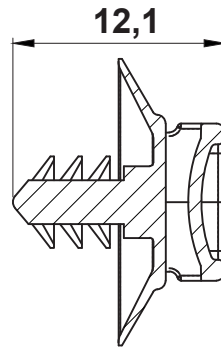
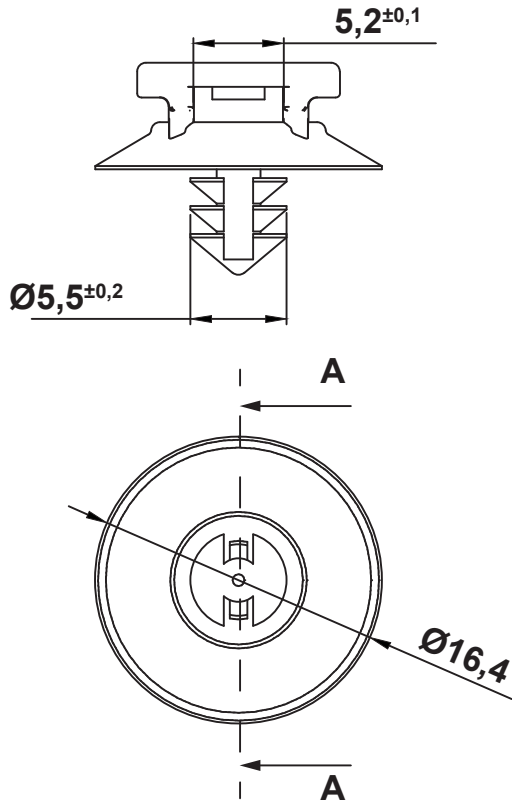
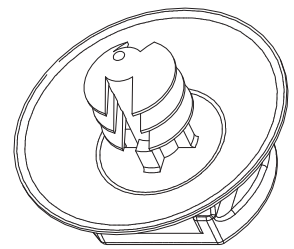


DIM.	TOL.
5mm DOWN	±0.2
5~20mm	±0.3
20~40mm	±0.4
40~60mm	±0.5
60~100mm	±0.8
100mm UP	±1.0


REVISIONS			
REV	DESCRIPTION	DATE	BY



SECTION A-A



MOUNTING HOLE: Ø 4,5 - Ø 5,0±0,2
THICKNESS: 0,7- 3,0
INSERTION FORCE ≤60N, EXTRACTION FORCE ≥100N.
WORKING TEMPERATURE: -40°C...+120°C

			TITLE PUSH MOUNT CABLE TIE	
			MATERIAL PA 6.6 heat stabilized	DATE 18/07/2025
PART NUMBER 19720AT01		DRAWING NUMBER 25/07/18.19720.E		CHECK
SIZE A4	SCALE NTS	UNIT mm.	REV A	UNLESS OTHERWISE SPECIFIED TOLERANCE SEE ABOVE
				APPROVED