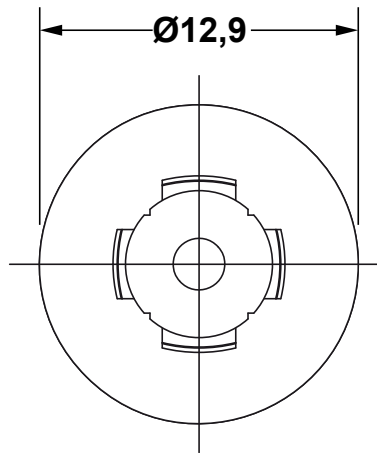
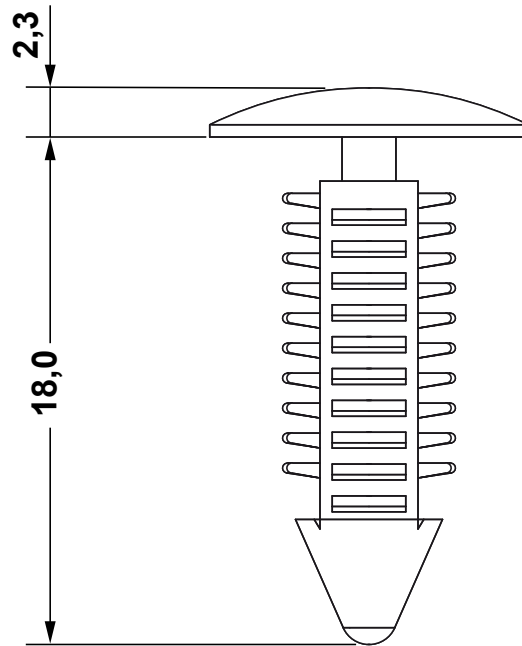



DIM.	TOL
5mm DOWN	±0.2
5~20mm	±0.3
20~40mm	±0.4
40~60mm	±0.5
60~100mm	±0.8
100mm UP	±1.0

REVISIONS			
REV	DESCRIPTION	DATE	BY



P/N	COLOUR
5421AA01	BLACK
5421AA00	NATURAL

MOUNTING HOLE: Ø 6,0
PANEL THICKNESS: 2,5 -10,0

		TITLE CLIPS HOLE Ø 6,0	
		MATERIAL PA 66 V2(UL94)	DATE 15/04/2025
PART NUMBER SEE TABLE		FINISH	DRAWN E.B.
DRAWING NUMBER 25.04.15.5421.0.E		COLOR SEE TABLE	CHECK
SIZE A4	SCALE NTS	UNLESS OTHERWISE SPECIFIED TOLERANCE SEE ABOVE	APPROVED
UNIT mm.	REV C		