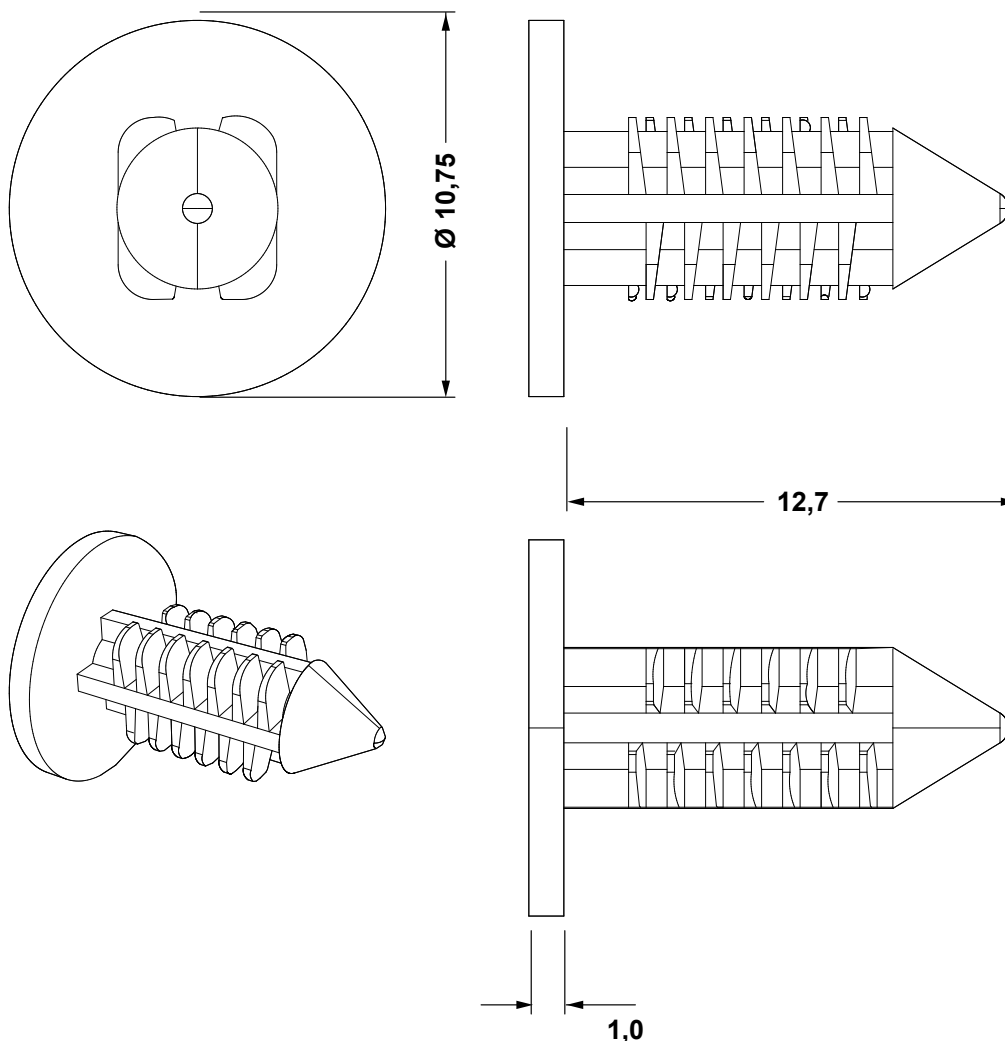


DIM.	TOL.
5mm DOWN	±0.2
5~20mm	±0.3
20~40mm	±0.4
40~60mm	±0.5
60~100mm	±0.8
100mm UP	±1.0

REVISIONS			
REV	DESCRIPTION	DATE	BY



P/N	COLOUR
8213AA01	BLACK
8213AA00	NATURAL

MOUNTING HOLE: $\text{Ø } 5,0$
THICKNESS: 1,7 - 8,0



TITLE
TOOTHED CLIPS

MATERIAL PA6.6 V2(UL94)	DATE 15/04/2025
----------------------------	--------------------

COLOR SEE TABLE	DRAWN E.B.
--------------------	---------------

UNLESS OTHERWISE SPECIFIED TOLERANCE SEE ABOVE	CHECK
---	-------

APPROVED

PART NUMBER SEE TABLE		DRAWING NUMBER 25.04.15.8213.0.E	
SIZE A4	SCALE NTS	UNIT mm.	REV A