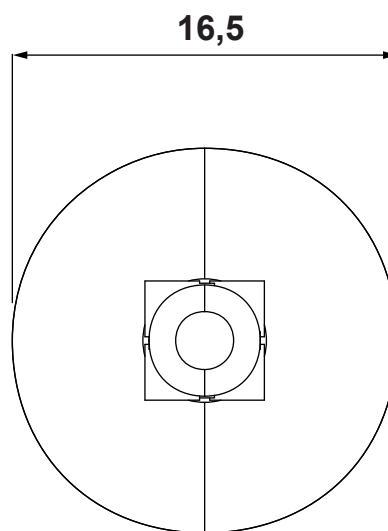
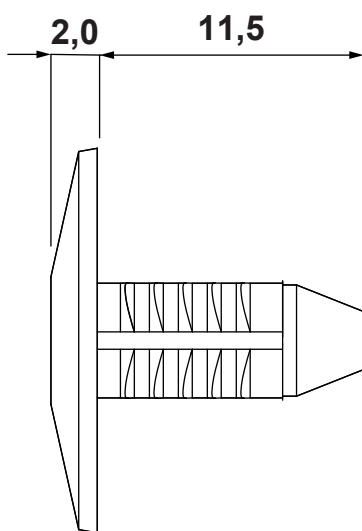
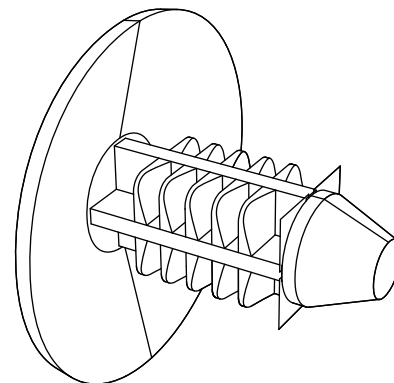


DIM.	TOL.
5mm DOWN	±0.2
5~20mm	±0.3
20~40mm	±0.4
40~60mm	±0.5
60~100mm	±0.8
100mm UP	±1.0

REVISIONS			
REV	DESCRIPTION	DATE	BY



MOUNTING HOLE: Ø5,0
THICKNESS: 1,2 - 6,0

P/N	COLOUR
8215AA01	BLACK
8215AA00	NATURAL



TITLED TOOTHED CLIPS

MATERIAL PA 6.6 V2(UL94)	DATE 15/04/2025
-----------------------------	--------------------

COLOR SEE TABLE	DRAWN E.B.
--------------------	---------------

UNLESS OTHERWISE SPECIFIED TOLERANCE SEE ABOVE	CHECK
---	-------

APPROVED

PART NUMBER SEE TABLE		DRAWING NUMBER 25.04.15.8215.0.E	
SIZE A4	SCALE NTS	UNIT mm.	REV A