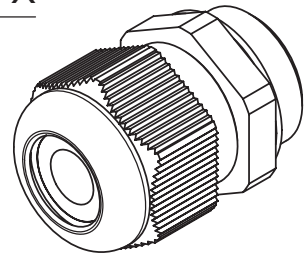
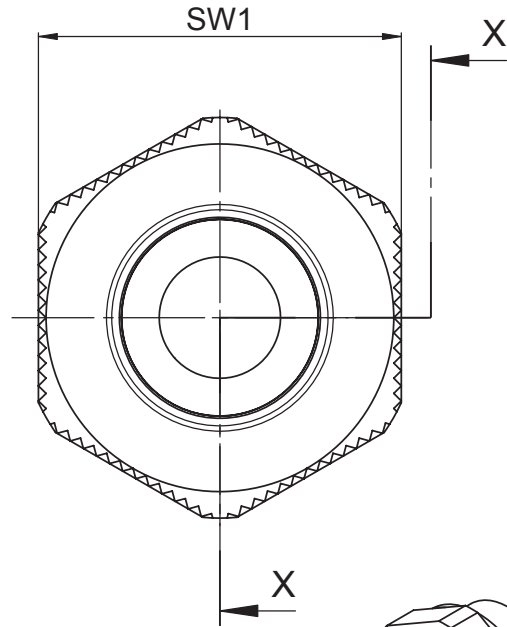
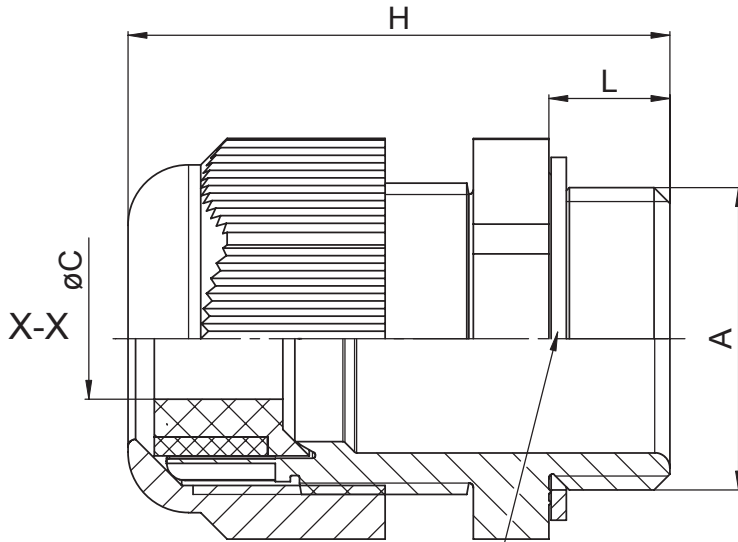


DIM.	TOL.
5mm DOWN	±0.2
5~20mm	±0.3
20~40mm	±0.4
40~60mm	±0.5
60~100mm	±0.8
100mm UP	±1.0



REVISIONS			
REV	DESCRIPTION	DATE	BY



from M32x1,5 with  
sealing ring

WORKING TEMPERATURE: -20° C ..... +100° C  
 PROTECTION INDEX IP 68  
 NUT MATERIAL: PA 6 V2(UL94)  
 BODY MATERIAL: PA 6 V2(UL94)  
 O-RING MATERIAL: CR/NBR HB(UL94)

P/N RAL 7001	P/N RAL 7035	P/N RAL 9005	A	Installation torque Nm	Hole	Øc (Clamping range)	L	SW1	H
8584AA117001	8592AA117035	8600AA019005	M12X1,5	3,5	12,0 <sup>+0,2</sup>	3 - 6 mm	8	15	31
8585AA117001	8593AA117035	8601AA019005	M16X1,5	3,5	16,0 <sup>+0,2</sup>	5 - 10 mm	8	20	35,5
8586AA117001	8594AA117035	8602AA019005	M20X1,5	3,5	20,0 <sup>+0,2</sup>	8 - 13 mm	8	24	36
8587AA117001	8595AA117035	8603AA019005	M25X1,5	6,7	25,0 <sup>+0,2</sup>	11 - 17 mm	8	29	43
8588AA117001	8596AA117035	8604AA019005	M32X1,5	12,0	32,0 <sup>+0,2</sup>	15 - 21 mm	10	36	50
8589AA117001	8597AA117035	8605AA019005	M40X1,5	13,5	40,0 <sup>+0,2</sup>	19 - 28 mm	10	46	51
8590AA117001	8598AA117035	8606AA019005	M50X1,5	18,0	50,0 <sup>+0,2</sup>	27 - 35 mm	12	55	61,5
8591AA117001	8599AA117035	8607AA019005	M63X1,5	18,0	63,0 <sup>+0,2</sup>	32 - 42 mm	12	68	65,5



TITLE <b>METRIC THREAD CABLE GLAND IP68</b>	
MATERIAL SEE ABOVE	DATE 14/03/2024
COLOR SEE ABOVE	DRAWN A.C.
PART NUMBER SEE ABOVE	CHECK
DRAWING NUMBER 24/03/14.858xx.E	APPROVED
SIZE A4	SCALE NTS
UNIT mm.	REV A
UNLESS OTHERWISE SPECIFIED TOLERANCE SEE ABOVE	