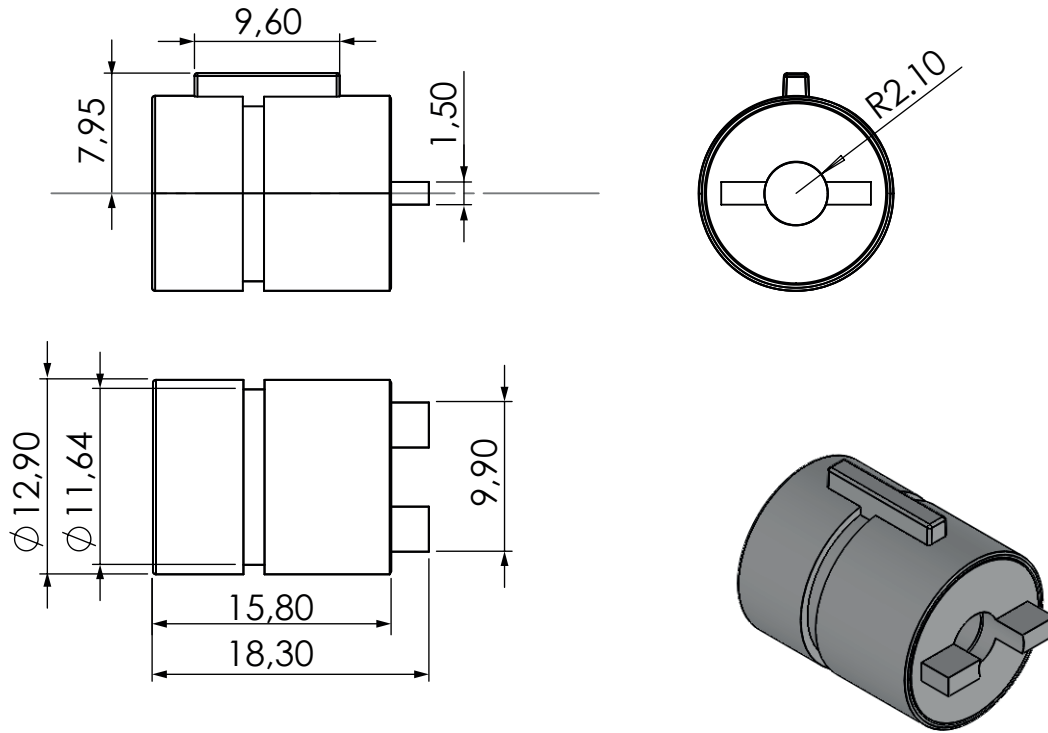


DIM.	TOL.
5mm DOWN	±0.2
5~20mm	±0.3
20~40mm	±0.4
40~60mm	±0.5
60~100mm	±0.8
100mm UP	±1.0

REVISIONS			
REV	DESCRIPTION	DATE	BY



P/N	TORQUE RATING
19503XX00	2-3 Ncm
19644XX00	3-4 Ncm
19645XX00	4-5 Ncm
19646XX00	5-6 Ncm
19647XX00	6-7 Ncm
19648XX00	7-8.5 Ncm
19649XX00	8.5-10 Ncm

				TITLE BARREL DAMPER - FULL ROTATION	
				MATERIAL POM	
PART NUMBER SEE TABLE				DRAWN E.B.	
				DRAWING NUMBER 25.04.22.19XX.0.E	
SIZE A4		SCALE NTS		COLOR NATURAL	
UNIT mm.		REV A		CHECK	
UNLESS OTHERWISE SPECIFIED TOLERANCE SEE ABOVE				APPROVED	