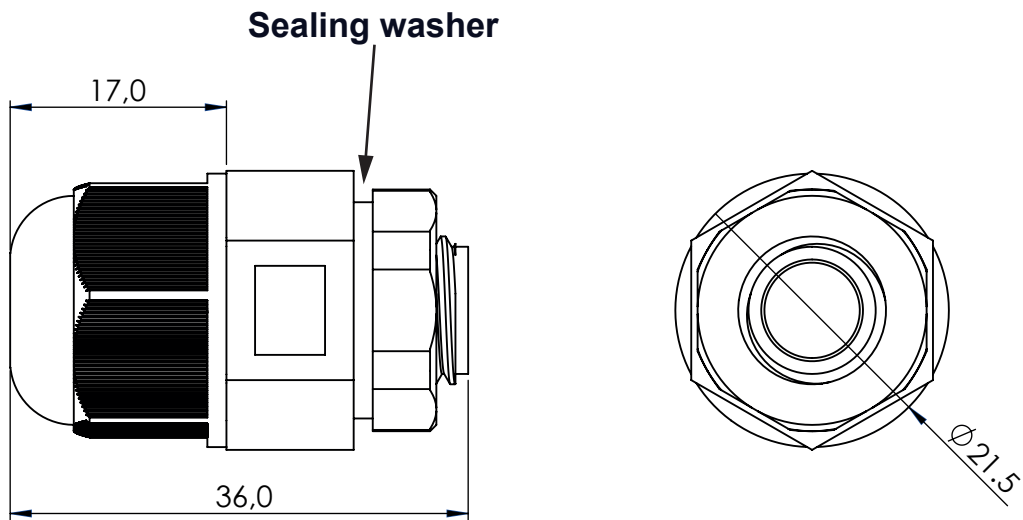


DIM.	TOL.
5mm DOWN	±0.2
5~20mm	±0.3
20~40mm	±0.4
40~60mm	±0.5
60~100mm	±0.8
100mm UP	±1.0

REVISIONS			
REV	DESCRIPTION	DATE	BY



MATERIAL:
HOUSING: PA6 V2 (UL94)
MEMBRANE MATERIAL: PTFE
LOCKNUT: PA6
THREAD SIZE: M12x1.5
AVERAGE AIR FLOW I/H: 25
WATER INTRUSION: 0,2 bar / 30sec
WORKING TEMPERATURE: -40°C ~ +125 °C
IP RATING: IP67/IP68

				TITLE VENTING CABLE GLAND M12	
				MATERIAL SEE ABOVE	
PART NUMBER 19508AA117035				DRAWING NUMBER 25.04.28.19508.E	
				DRAWN E.B.	
SIZE A4				COLOR GRAY RAL 7035	
SCALE NTS		UNIT mm.		UNLESS OTHERWISE SPECIFIED TOLERANCE SEE ABOVE	
REV A		APPROVED			