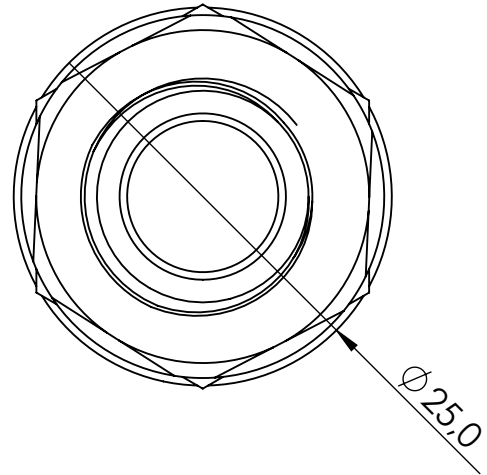
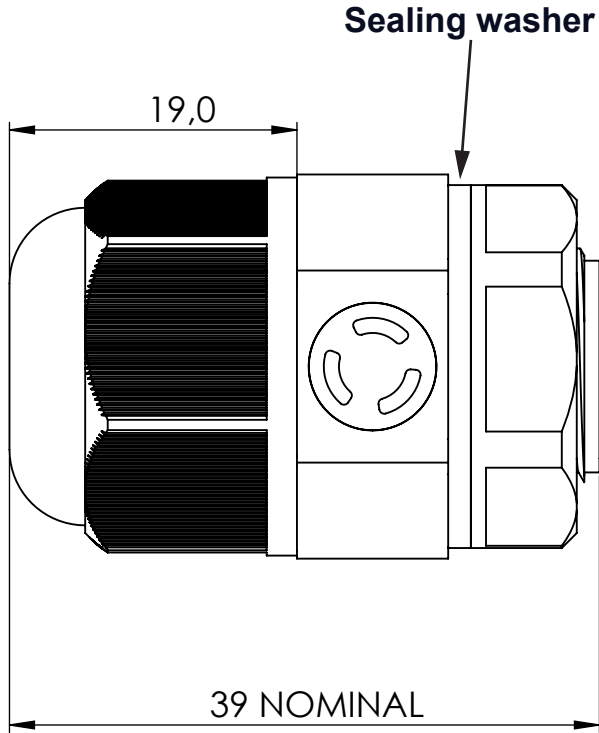


DIM.	TOL.
5mm DOWN	±0.2
5~20mm	±0.3
20~40mm	±0.4
40~60mm	±0.5
60~100mm	±0.8
100mm UP	±1.0

REVISIONS			
REV	DESCRIPTION	DATE	BY



**MATERIAL:**

**HOUSING:** PA6 V2 (UL94)

**MEMBRANE MATERIAL:** PTFE

**LOCKNUT:** PA6

**THREAD SIZE:** M16x1.5

**AVERAGE AIR FLOW I/H:** 25

**WATER INTRUSION:** 0,2 bar / 30sec

**WORKING TEMPERATURE:** -40°C ~ +125 °C

**IP RATING:** IP67/IP68

				TITLE		<b>VENTING CABLE GLAND M16</b>					
				MATERIAL		PA6 V2(UL94)		DATE		28/04/2025	
PART NUMBER <b>19509AA117035</b>				DRAWING NUMBER <b>25.04.28.46037.0.E</b>				DRAWN		E.B.	
								COLOR		GRAY RAL 7035	
SIZE		SCALE		UNIT		REV		UNLESS OTHERWISE SPECIFIED TOLERANCE		APPROVED	
A4		NTS		mm.		A		SEE ABOVE			