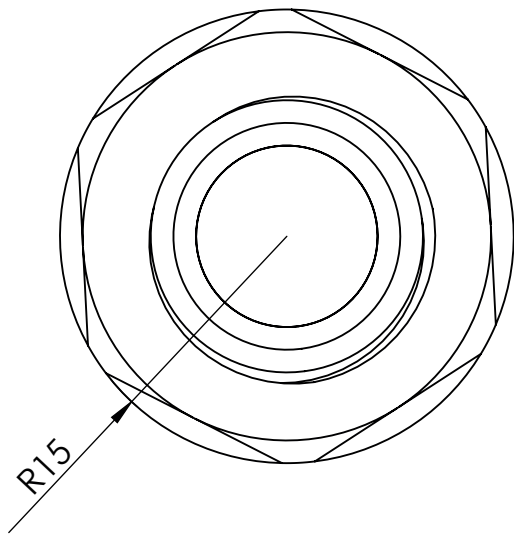
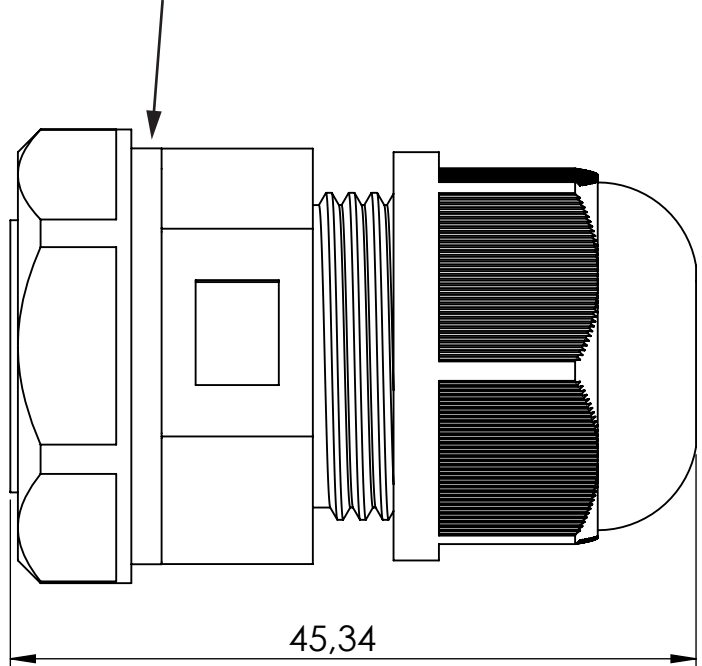


DIM.	TOL.
5mm DOWN	±0.2
5~20mm	±0.3
20~40mm	±0.4
40~60mm	±0.5
60~100mm	±0.8
100mm UP	±1.0

REVISIONS			
REV	DESCRIPTION	DATE	BY



Sealing washer



**MATERIAL:**

**HOUSING:** PA6 V2(UL94)

**MEMBRANE MATERIAL:** PTFE

**LOCKNUT:** PA6

**THREAD SIZE:** M20x1.5

**AVERAGE AIR FLOW I/H:** 25

**WATER INTRUSION:** 0,2 bar / 30sec

**WORKING TEMPERATURE:** -40°C ~ +125 °C

**IP RATING:** IP67/IP68

				TITLE <b>VENTING CABLE GLAND M20</b>			
				MATERIAL SEE ABOVE		DATE 28/04/2025	
						DRAWN E.B.	
PART NUMBER 19510AA117035		DRAWING NUMBER 25.04.28.19510.0.E		COLOR GRAY RAL 7035		CHECK	
SIZE A4	SCALE NTS	UNIT mm.	REV A	UNLESS OTHERWISE SPECIFIED TOLERANCE SEE ABOVE		APPROVED	