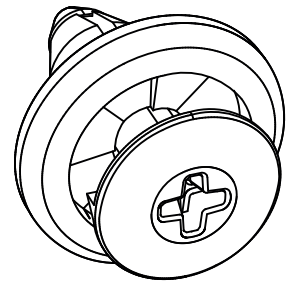
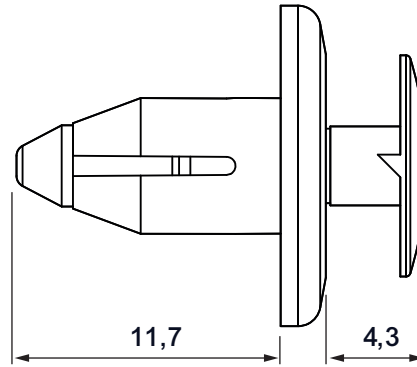
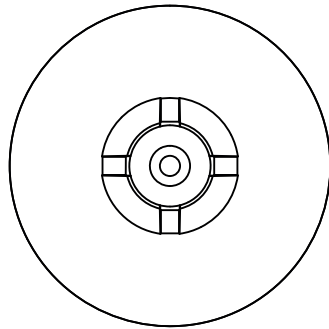
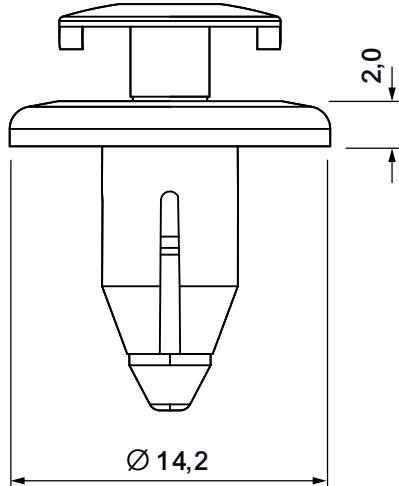


DIM.	TOL.
5mm DOWN	±0.2
5~20mm	±0.3
20~40mm	±0.4
40~60mm	±0.5
60~100mm	±0.8
100mm UP	±1.0

REVISIONS			
REV	DESCRIPTION	DATE	BY



HOLE SIZE: Ø 6,0  
 PANEL THICKNESS: 4,5 - 6,0

				TITLE <b>QUARTER TURN RIVET</b>	
				MATERIAL POM HB(UL94)	DATE 30/04/2025
PART NUMBER 19511GA01				DRAWN A.C.	
				DRAWING NUMBER 25.04.30.19511.0.E	
SIZE A4				COLOR BLACK	
				UNLESS OTHERWISE SPECIFIED TOLERANCE SEE ABOVE	
SCALE NTS		UNIT mm.	REV A	CHECK APPROVED	