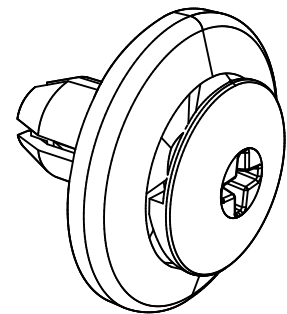
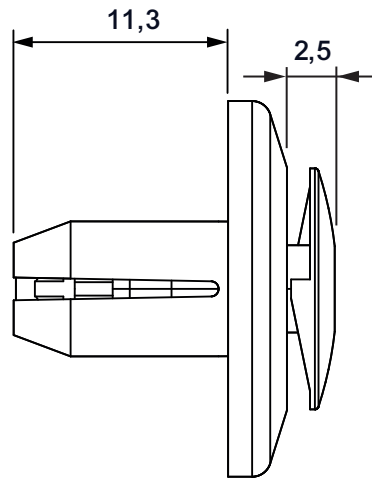
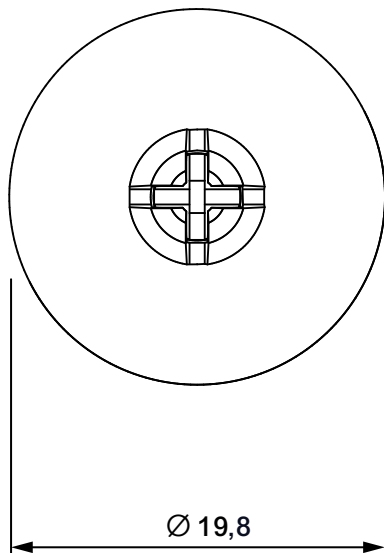
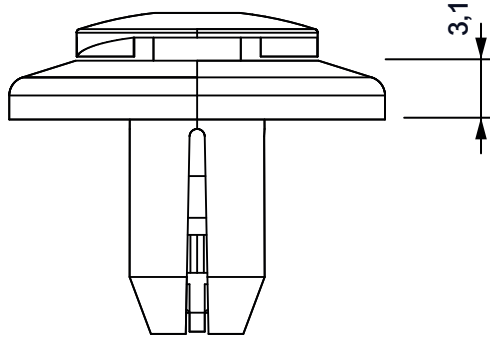


DIM.	TOL.
5mm DOWN	±0.2
5~20mm	±0.3
20~40mm	±0.4
40~60mm	±0.5
60~100mm	±0.8
100mm UP	±1.0

REVISIONS			
REV	DESCRIPTION	DATE	BY



HOLE SIZE: Ø 7,5
PANEL THICKNESS: 4,5 - 7,0

				TITLE QUARTER TURN RIVET	
				MATERIAL POM HB(UL94)	DATE 30/04/2025
PART NUMBER 19513GA01 DRAWING NUMBER 25.04.30.19513.0.E				DRAWN A.C.	
				COLOR BLACK	
SIZE A4	SCALE NTS	UNIT mm.	REV A	UNLESS OTHERWISE SPECIFIED TOLERANCE SEE ABOVE	
				APPROVED	