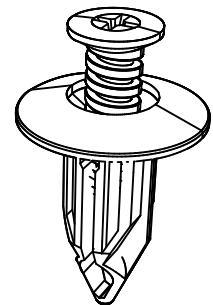
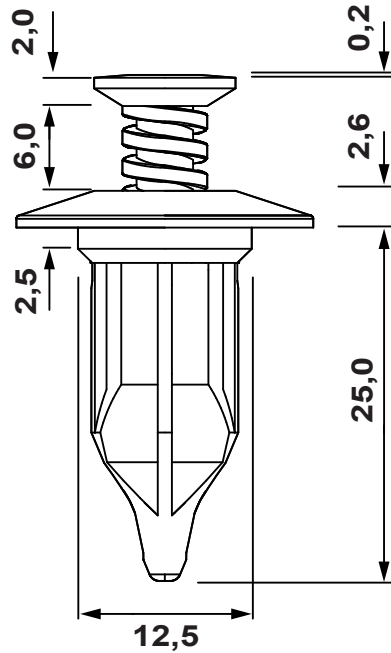
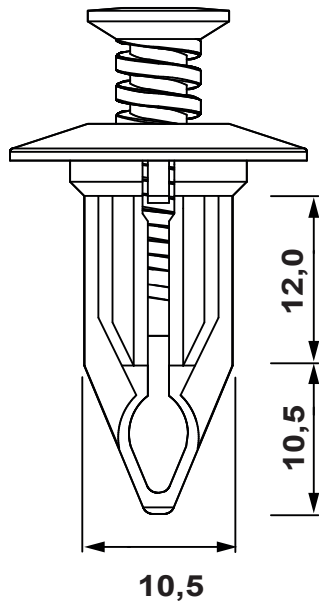
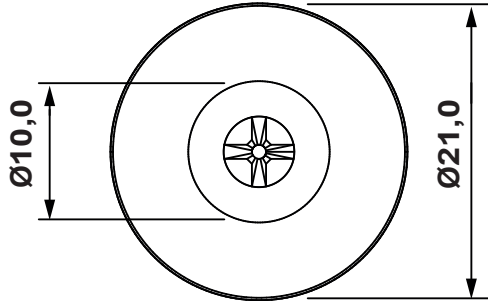


DIM.	TOL.
5mm DOWN	±0.2
5~20mm	±0.3
20~40mm	±0.4
40~60mm	±0.5
60~100mm	±0.8
100mm UP	±1.0

REVISIONS			
REV	DESCRIPTION	DATE	BY



MOUNTING HOLE: Ø11,0
 PANEL THICKNESS: 6,0 - 9,0

		TITLE SCREW RIVET	
		MATERIAL PA66 V2(UL94)	DATE 06/05/2025
PART NUMBER 19522AA01		DRAWN A.C.	
DRAWING NUMBER 25/05/06.19522.E		CHECK	
SIZE A4	SCALE NTS	COLOR BLACK	APPROVED
UNIT mm.	REV A	UNLESS OTHERWISE SPECIFIED TOLERANCE SEE ABOVE	