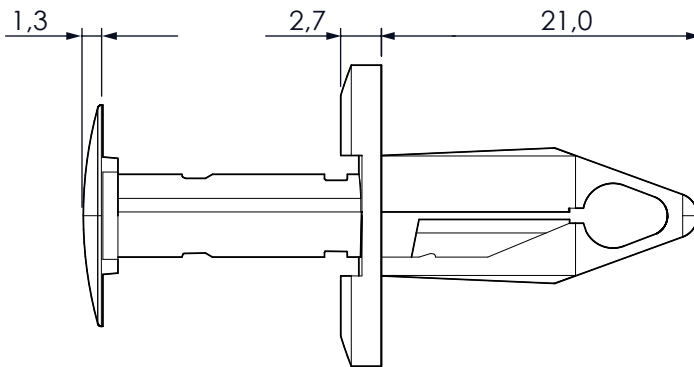


DIM.	TOL.
5mm DOWN	±0.2
5~20mm	±0.3
20~40mm	±0.4
40~60mm	±0.5
60~100mm	±0.8
100mm UP	±1.0

REVISIONS			
REV	DESCRIPTION	DATE	BY



P/N	COLOUR	NOTES
19528AA01	BLACK	PIN NOT ASSEMBLED
19529AA01	BLACK	PIN ASSEMBLED
19529AA11	GREY	PIN ASSEMBLED

**MOUNTING HOLE: Ø8,0**  
**PANEL THICKNESS: 3,0 - 8,0**

		TITLE <b>PUSH LOCK RIVET</b>	
		MATERIAL PA66 V2(UL94)	DATE 07/05/2025
PART NUMBER SEE ABOVE		DRAWN E.B.	
DRAWING NUMBER 25/05/07.1952.E		CHECK	
SIZE A4	SCALE NTS	COLOR SEE ABOVE	APPROVED
UNIT mm.	REV A	UNLESS OTHERWISE SPECIFIED TOLERANCE SEE ABOVE	