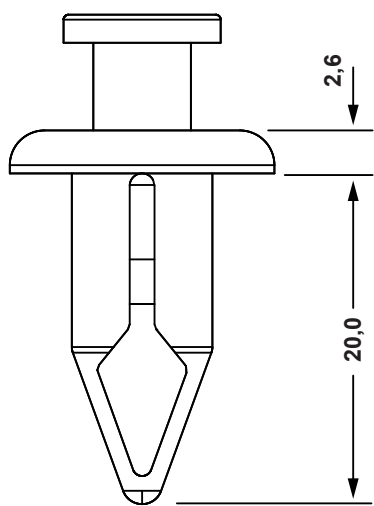
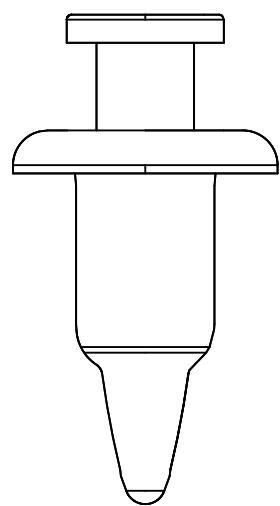
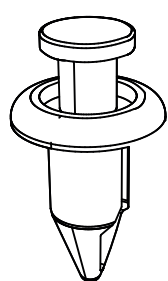
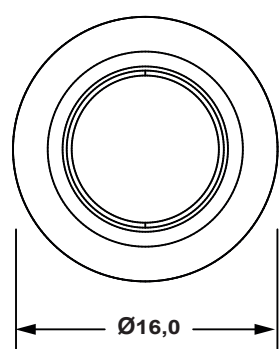


DIM.	TOL.
5mm DOWN	±0.2
5~20mm	±0.3
20~40mm	±0.4
40~60mm	±0.5
60~100mm	±0.8
100mm UP	±1.0

REVISIONS			
REV	DESCRIPTION	DATE	BY



**MOUNTING HOLE: Ø9,0**  
**PANEL THICKNESS: 3,0 - 7,0**

		TITLE <b>PUSH LOCK RIVET</b>	
		MATERIAL PA66 V2(UL94)	DATE 07/05/2025
PART NUMBER 19534AA01		DRAWING NUMBER 25/05/07.19534.E	
DRAWN A.C.		COLOR BLACK	CHECK
SIZE A4	SCALE NTS	UNIT mm.	REV A
UNLESS OTHERWISE SPECIFIED TOLERANCE SEE ABOVE		APPROVED	