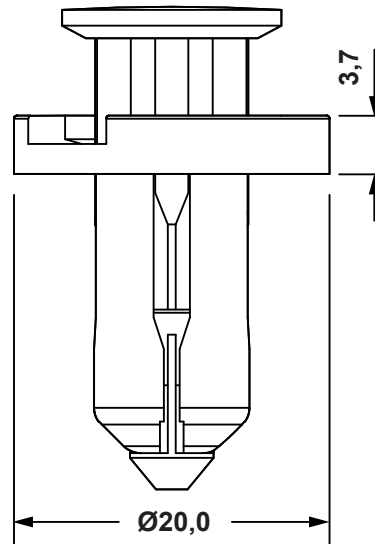
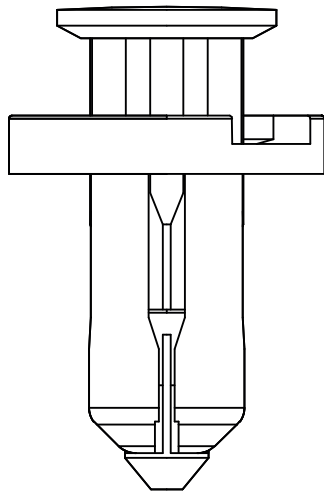
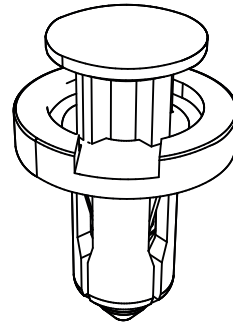
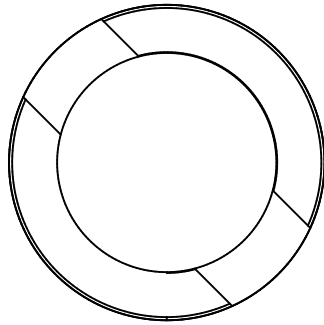


DIM.	TOL.
5mm DOWN	±0.2
5~20mm	±0.3
20~40mm	±0.4
40~60mm	±0.5
60~100mm	±0.8
100mm UP	±1.0

REVISIONS			
REV	DESCRIPTION	DATE	BY



MOUNTING HOLE: Ø10,0
PANEL THICKNESS: 6,0 - 10,0
LENGTH: 26,7

		TITLE PUSH LOCK RIVET	
		MATERIAL POM HB(UL94)	DATE 07/05/2025
PART NUMBER 19537GA01		DRAWING NUMBER 25/05/07.19537.E	
DRAWN A.C.		COLOR BLACK	CHECK
SIZE A4	SCALE NTS	UNIT mm.	REV A
UNLESS OTHERWISE SPECIFIED TOLERANCE SEE ABOVE		APPROVED	