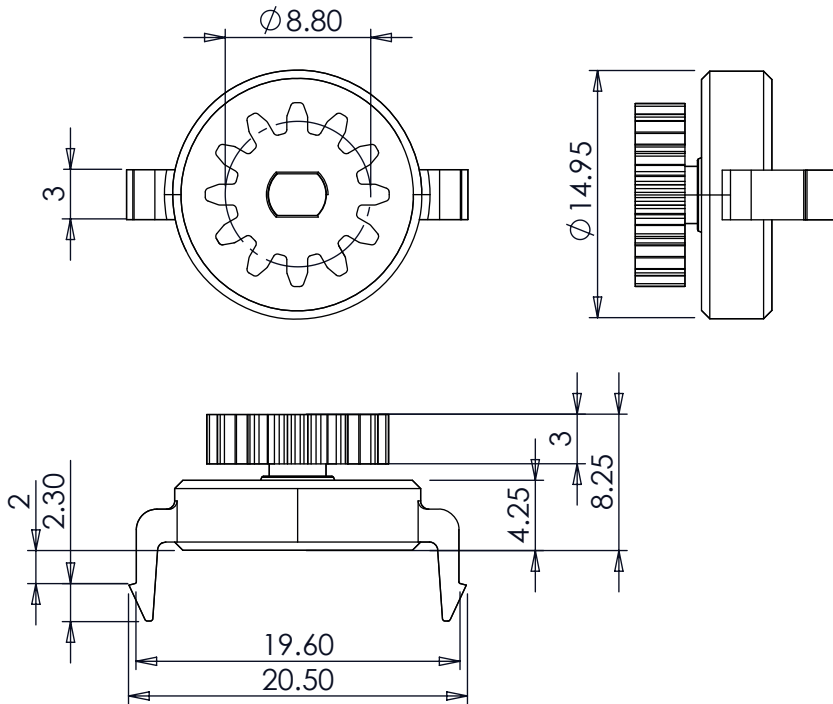


DIM.	TOL.
5mm DOWN	±0.2
5~20mm	±0.3
20~40mm	±0.4
40~60mm	±0.5
60~100mm	±0.8
100mm UP	±1.0

REVISIONS			
REV	DESCRIPTION	DATE	BY



P/N	TORQUE	BODY COLOUR	ROTOR COLOUR	GEAR TYPE
19564XX01	0.12 Ncm ± 0.07	BLACK	BEIGE	11a
19619XX01	0.25 Ncm ± 0.08	BLACK	YELLOW	11a
19620XX01	0.30 Ncm ± 0.10	BLACK	GREEN	11a
19621XX01	0.45 Ncm ± 0.12	BLACK	BROWN	11a
19622XX01	0.60 Ncm ± 0.17	BLACK	BLACK	11a
19623XX01	0.95 Ncm ± 0.18	BLACK	RED	11a
19624XX01	1.20 Ncm ± 0.20	BLACK	BLUE	11a
19625XX01	1.50 Ncm ± 0.25	BLACK	PINK	11a
19626XX01	2.20 Ncm ± 0.35	BLACK	ORANGE	11a

No. TEETH	10	11a	11b	11c	11d	12	13	14	16
GEAR MODULE	0.8	0.8	0.8	0.6	0.8	0.8	0.8	0.5	0.8
PRESSURE ANGLE	20°	20°	20°	20°	20°	20°	14.5°	20°	20°
NOTES	-	-	ROUNDED EDGES	ROUNDED EDGES	-	-	-	-	-

		TITLE <b>ROTARY DAMPER, FORWARD CLIP BASE</b>	
		MATERIAL POM / PC / RUBBER / SILICONE	DATE 23/04/2025
PART NUMBER SEE TABLE		DRAWING NUMBER 25.04.23.19XX.0.E	
SIZE A4		SCALE NTS	
UNIT mm.		REV A	
COLOR SEE TABLE		CHECK	
UNLESS OTHERWISE SPECIFIED TOLERANCE SEE ABOVE		APPROVED	