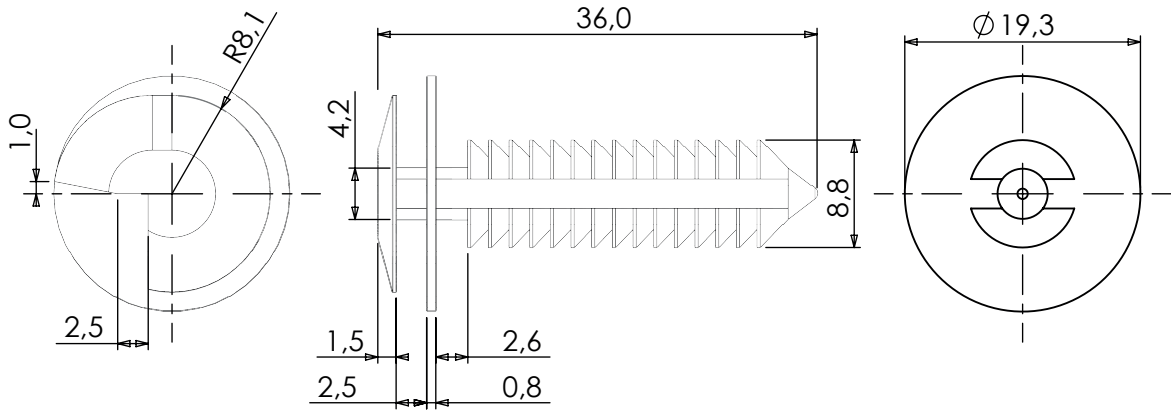


DIM.	TOL.
5mm DOWN	±0.2
5~20mm	±0.3
20~40mm	±0.4
40~60mm	±0.5
60~100mm	±0.8
100mm UP	±1.0

REVISIONS			
REV	DESCRIPTION	DATE	BY



HOLE: $\phi 7,5$

				TITLE TRIM CLIP - DOUBLE HEADED	
				MATERIAL PA 66 V2(UL94)	
PART NUMBER 19573AA00				DRAWN E.B.	
				DRAWING NUMBER 25.04.17.19573.E	
SIZE A4		SCALE NTS		COLOR NATURAL	
UNIT mm.		REV A		UNLESS OTHERWISE SPECIFIED TOLERANCE SEE ABOVE	
				APPROVED	