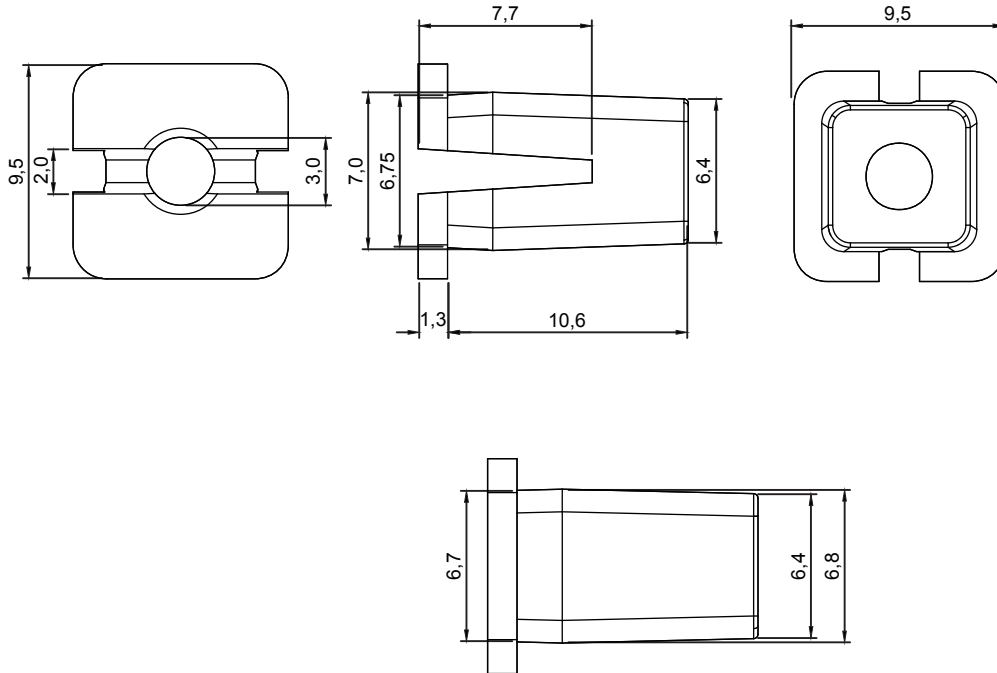
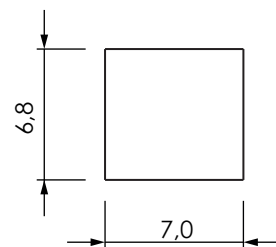


DIM.	TOL.
5mm DOWN	±0.2
5~20mm	±0.3
20~40mm	±0.4
40~60mm	±0.5
60~100mm	±0.8
100mm UP	±1.0

REVISIONS			
REV	DESCRIPTION	DATE	BY




MOUNTING HOLE



MOUNTING HOLE: 6,8 - 7,0 SQ

PANEL THICKNESS: 0,8 - 2,0

SCREW SIZE: 8 - 10

				TITLE LOKUT NUT	
				MATERIAL POM HB (UL94)	DATE 18/04/2025
PART NUMBER 19575GA00				DRAWN E.B.	
DRAWING NUMBER 25.04.18.19575.0.E				CHECK	
COLOR NATURAL				APPROVED	
SIZE A4	SCALE NTS	UNIT mm.	REV A	UNLESS OTHERWISE SPECIFIED TOLERANCE SEE ABOVE	