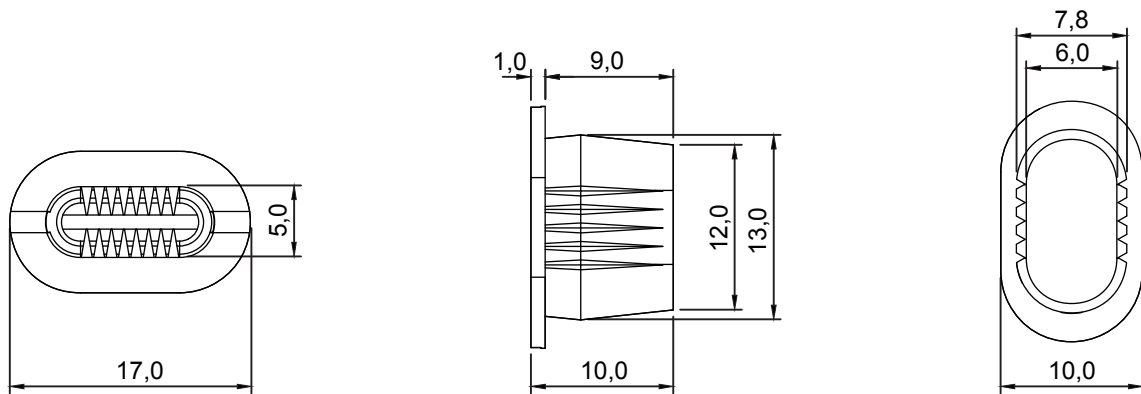



DIM.	TOL.
5mm DOWN	±0.2
5~20mm	±0.3
20~40mm	±0.4
40~60mm	±0.5
60~100mm	±0.8
100mm UP	±1.0

REVISIONS			
REV	DESCRIPTION	DATE	BY



**MOUNTING HOLE: 7,1 - 7,2 x 14,0 - 14,2**  
**PANEL THICKNESS: 0,8 - 2,0**  
**SCREW SIZE: 8**

				TITLE <b>OBLONG REVERSE LOKUT NUT</b>	
				MATERIAL PA66 V2 (UL94)	DATE 18/04/2025
PART NUMBER 19576AA00				DRAWN E.B.	
				COLOR NATURAL	
DRAWING NUMBER 25.04.18.19576.E		CHECK		APPROVED	
SIZE A4	SCALE NTS	UNIT mm.	REV A	UNLESS OTHERWISE SPECIFIED TOLERANCE SEE ABOVE	