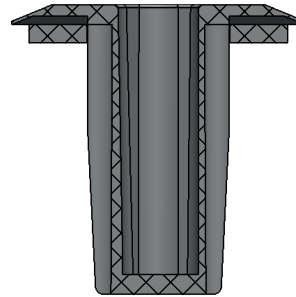
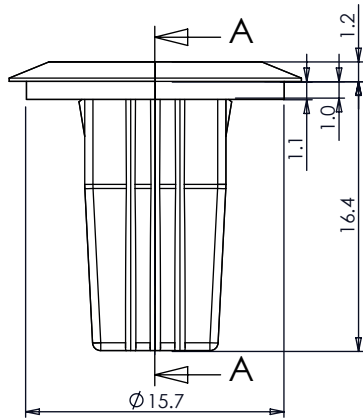
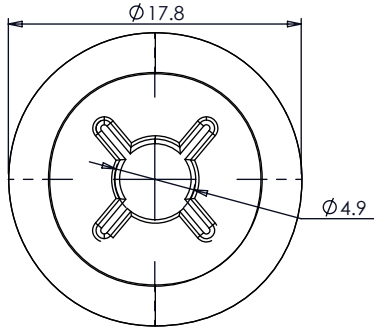


DIM.	TOL.
5mm DOWN	±0.2
5~20mm	±0.3
20~40mm	±0.4
40~60mm	±0.5
60~100mm	±0.8
100mm UP	±1.0

REVISIONS			
REV	DESCRIPTION	DATE	BY



SECTION A-A

MATERIAL:

BODY: POM HB (UL94)

GASKET: NBR

MOUNTING HOLE: 8,7 x 8,7

PANEL THICKNESS: 0,5 - 1,0

SCREW HOLE SIZE: Ø4,9

				TITLE SEALED SCREW GROMMET	
				MATERIAL SEE ABOVE	
PART NUMBER 19578GA00				DRAWN E.B.	
				DRAWING NUMBER 25.04.18.19578.E	
SIZE A4				COLOR NATURAL	
SCALE NTS				UNLESS OTHERWISE SPECIFIED TOLERANCE SEE ABOVE	
UNIT mm.		REV A		APPROVED	