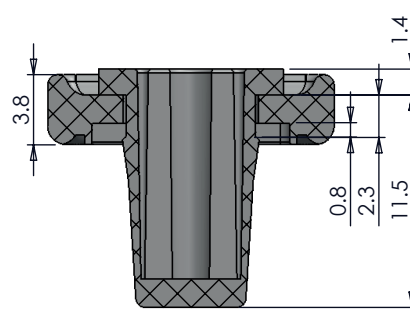
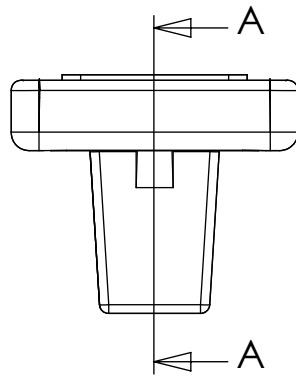
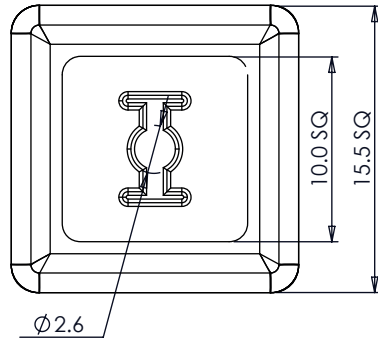


DIM.	TOL.
5mm DOWN	±0.2
5~20mm	±0.3
20~40mm	±0.4
40~60mm	±0.5
60~100mm	±0.8
100mm UP	±1.0

REVISIONS			
REV	DESCRIPTION	DATE	BY



SECTION A-A

**MATERIAL:**  
**BODY:** POM HB (UL94)  
**GASKET:** NBR  
**MOUNTING HOLE:** 7,3 x 7,3  
**PANEL THICKNESS:** 1,5 - 2,0  
**SCREW HOLE SIZE:** Ø2,6

				TITLE <b>SEALED SCREW GROMMET</b>	
				MATERIAL SEE ABOVE	
PART NUMBER 19579GA00				DRAWING NUMBER 25.04.18.19579.E	
DRAWING NUMBER 25.04.18.19579.E				DRAWN E.B.	
DRAWING NUMBER 25.04.18.19579.E				CHECK	
PART NUMBER 19579GA00		DRAWING NUMBER 25.04.18.19579.E		COLOR NATURAL	
PART NUMBER 19579GA00		DRAWING NUMBER 25.04.18.19579.E		UNLESS OTHERWISE SPECIFIED TOLERANCE SEE ABOVE	
SIZE A4	SCALE NTS	UNIT mm.	REV A	APPROVED	