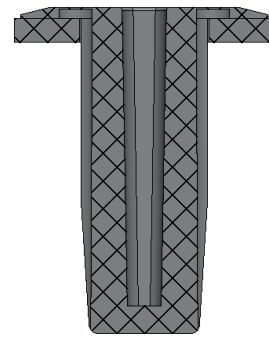
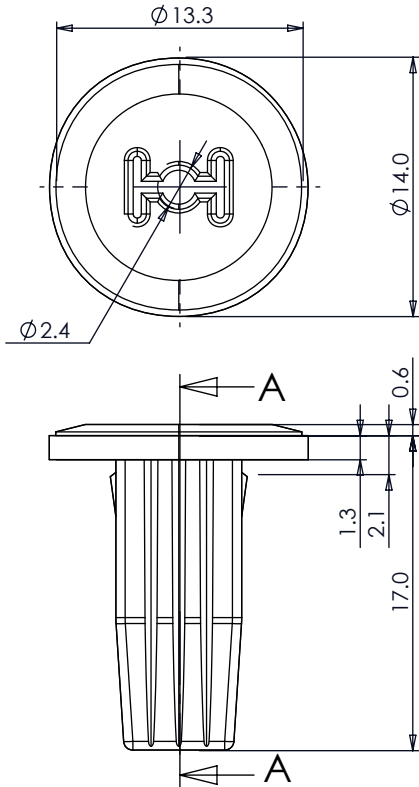


DIM.	TOL.
5mm DOWN	±0.2
5~20mm	±0.3
20~40mm	±0.4
40~60mm	±0.5
60~100mm	±0.8
100mm UP	±1.0

REVISIONS			
REV	DESCRIPTION	DATE	BY



SECTION A-A

**MATERIAL:**

**BODY:** POM HB(UL94)

**GASKET:** NBR

**MOUNTING HOLE:** 7,0 x 7,0

**PANEL THICKNESS:** 1,0 - 1,5

**SCREW HOLE SIZE:** Ø2,4

				TITLE <b>SEALED SCREW GROMMET</b>	
				MATERIAL SEE ABOVE	
PART NUMBER 19580GA00				DRAWING NUMBER 25.04.18.19580.E	
				COLOR NATURAL	
SIZE A4	SCALE NTS	UNIT mm.	REV A	UNLESS OTHERWISE SPECIFIED TOLERANCE SEE ABOVE	
				APPROVED	