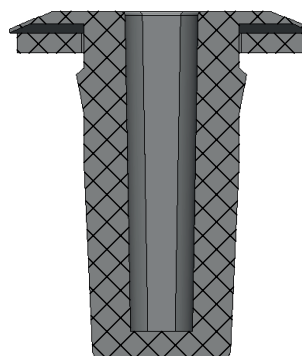
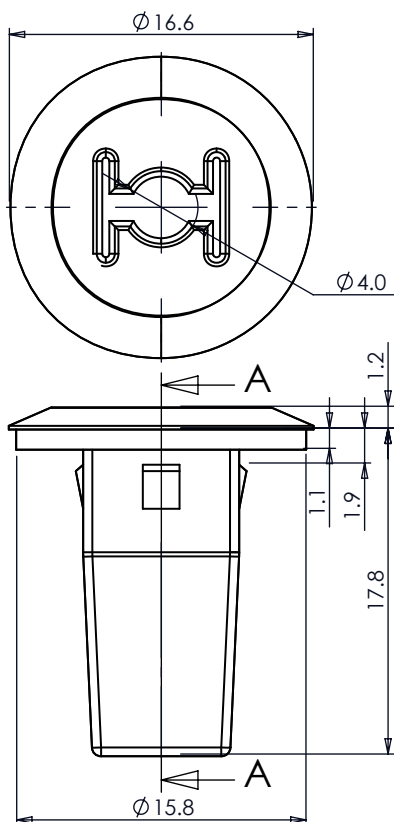


DIM.	TOL.
5mm DOWN	±0.2
5~20mm	±0.3
20~40mm	±0.4
40~60mm	±0.5
60~100mm	±0.8
100mm UP	±1.0

REVISIONS			
REV	DESCRIPTION	DATE	BY



SECTION A-A

**MATERIAL:**  
**BODY:** POM HB(UL94)  
**GASKET:** NBR  
**MOUNTING HOLE:** 8,7 x 8,7  
**PANEL THICKNESS:** 1,0 - 1,2  
**SCREW HOLE SIZE:** Ø4,0

				TITLE <b>SEALED SCREW GROMMET</b>	
				MATERIAL SEE ABOVE	
PART NUMBER 19584GA00				DRAWING NUMBER 25.04.18.19584.0.E	
DRAWN E.B.				CHECK	
COLOR NATURAL				UNLESS OTHERWISE SPECIFIED TOLERANCE SEE ABOVE	
SIZE A4	SCALE NTS	UNIT mm.	REV A	APPROVED	