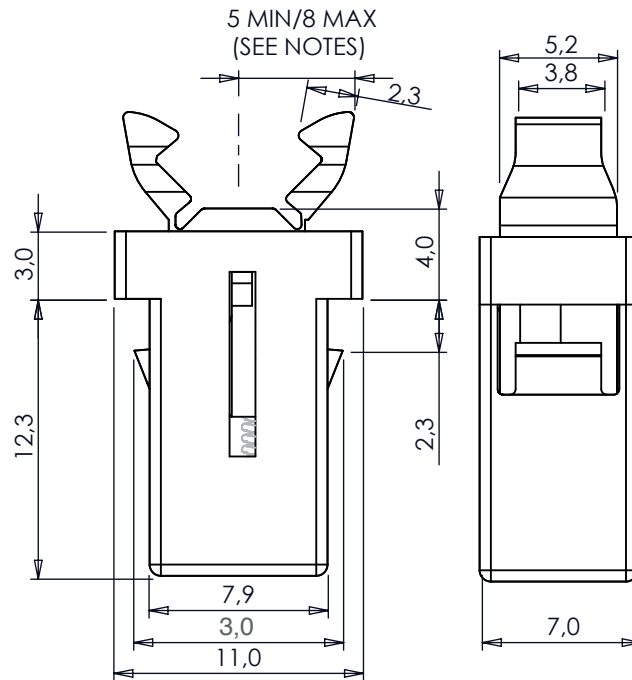
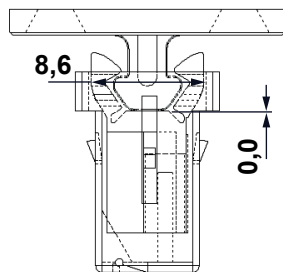


DIM.	TOL.
5mm DOWN	±0.2
5~20mm	±0.3
20~40mm	±0.4
40~60mm	±0.5
60~100mm	±0.8
100mm UP	±1.0

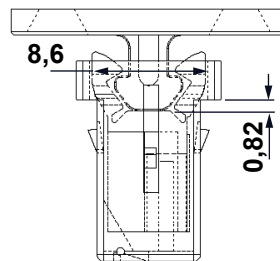
REVISIONS			
REV	DESCRIPTION	DATE	BY



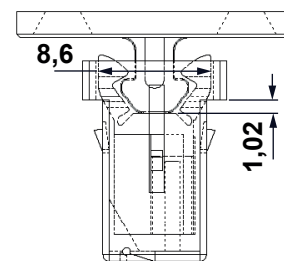
LATCH CLOSED



LATCH IN DELATCH POSITION



LATCH IN BOTTOM POSITION



HOLE SIZE: 7,0 x 8,0
THICKNESS: min. 2,0 - max. 2,2
CLOSING/OPENING FORCE: 500g ± 60g
TO BE USED WITH 19633GA01/19633GA02

P/N	COLOUR
19627GA01PS	BLACK
19627GA02PS	WHITE



TITLE PUSH LATCH, STANDARD SIZE	
MATERIAL PA66/ PC-ABS / SUS	DATE 23/04/2025
COLOR SEE TABLE	DRAWN E.B.
UNLESS OTHERWISE SPECIFIED TOLERANCE SEE ABOVE	CHECK APPROVED

PART NUMBER SEE TABLE		DRAWING NUMBER 25.04.23.19627.0.E	
SIZE A4	SCALE NTS	UNIT mm.	REV A