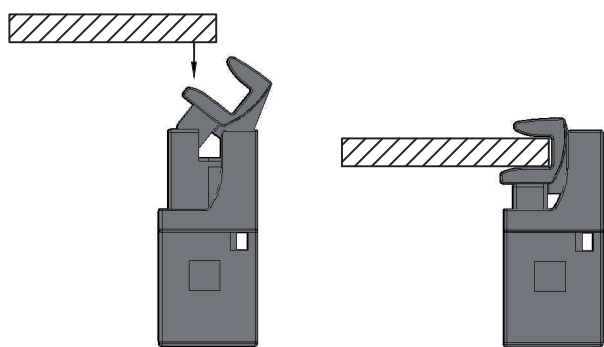
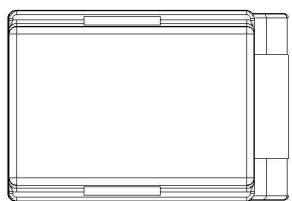
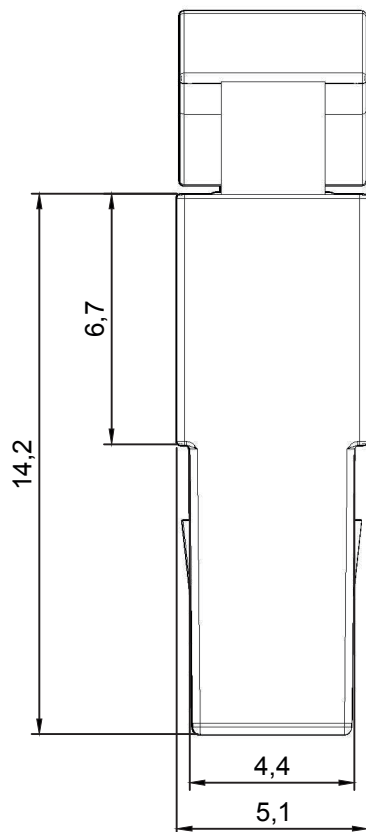
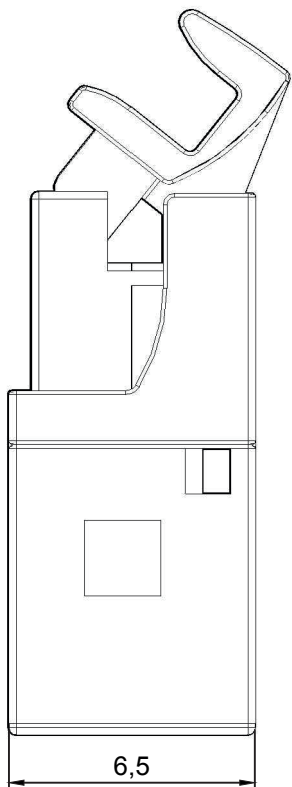


DIM.	TOL.
5mm DOWN	±0.2
5~20mm	±0.3
20~40mm	±0.4
40~60mm	±0.5
60~100mm	±0.8
100mm UP	±1.0

REVISIONS			
REV	DESCRIPTION	DATE	BY



PANEL THICKNESS: 1,9 - 2,0 mm

				TITLE PUSH LATCH, SMALL	
				MATERIAL POM / PC / SUS	DATE 24/04/2025
PART NUMBER 19629GA01PS				DRAWN E.B.	
				DRAWING NUMBER 25.04.24.19629.0.E	
COLOR BLACK				CHECK	
SIZE A4	SCALE NTS	UNIT mm.	REV A	UNLESS OTHERWISE SPECIFIED TOLERANCE SEE ABOVE	
				APPROVED	