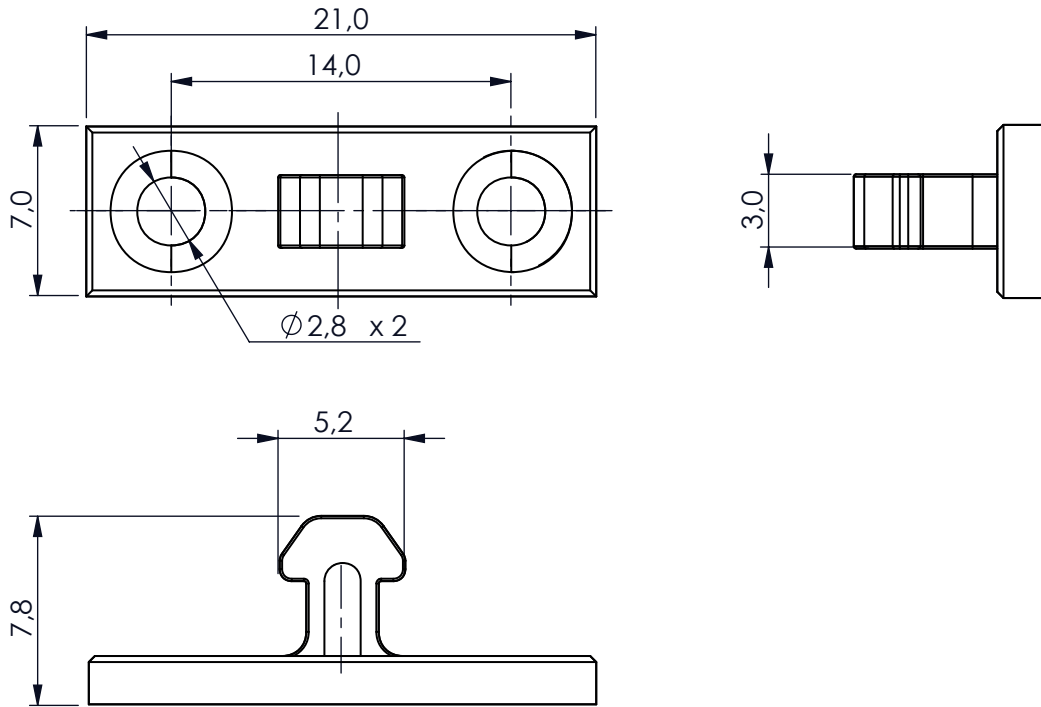


DIM.	TOL.
5mm DOWN	±0.2
5~20mm	±0.3
20~40mm	±0.4
40~60mm	±0.5
60~100mm	±0.8
100mm UP	±1.0

REVISIONS			
REV	DESCRIPTION	DATE	BY



P/N	COLOUR
19633GA01	BLACK
19633GA02	WHITE

TO BE USED WITH 19627GA01PS-19627GA02PS -
PUSH LATCH STANDARD SIZE

				TITLE STRIKE, PUSH LATCH STANDARD SIZE	
				MATERIAL POM	
PART NUMBER SEE TABLE				DRAWING NUMBER 25.04.24.19633.0.E	
COLOR BLACK				CHECK	
SIZE A4	SCALE NTS	UNIT mm.	REV A	UNLESS OTHERWISE SPECIFIED TOLERANCE SEE ABOVE	
				APPROVED	