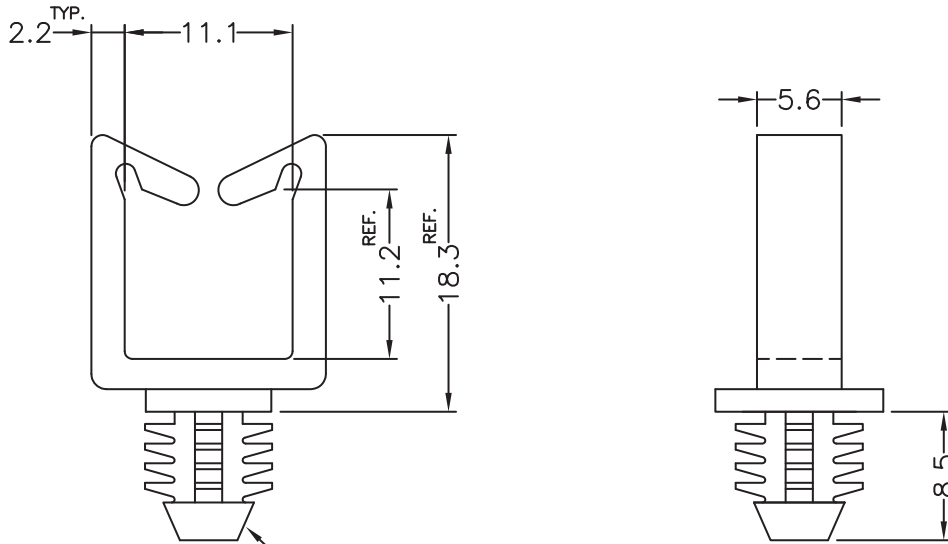
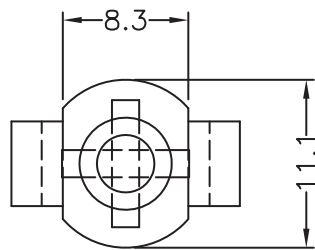



DIM.	TOL
5mm DOWN	±0.2
5~20mm	±0.3
20~40mm	±0.4
40~60mm	±0.5
60~100mm	±0.8
100mm UP	±1.0

REVISIONS			
REV	DESCRIPTION	DATE	BY



HOLE IN P.C.B $\phi 7.9\text{mm}$
P.C.B THICKNESS 6.4mm(MIN)



				TITLE	WIRE CLIP		
				MATERIAL	PA66 V2 UL 94	DATE	17/05/2011
				FINISH		DRAWN	J.D.
PART NUMBER		DRAWING NUMBER		COLOR	BLACK	CHECK	
10694AA01		11.05.10694.6.0.E		UNLESS OTHERWISE SPECIFIED TOLERANCE	SEE ABOVE	APPROVED	
SIZE	SCALE	UNIT	REV				
A4	2:1	mm.	C				