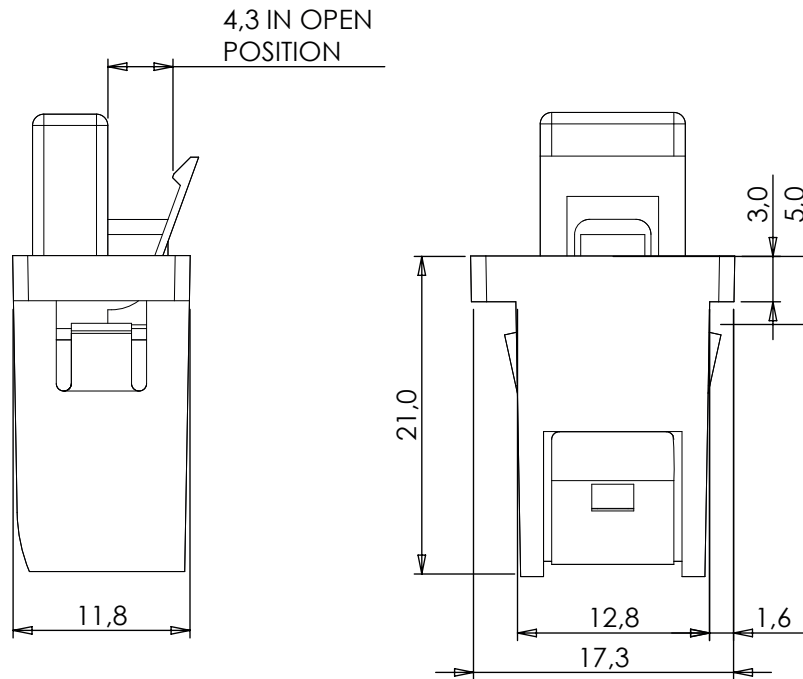


DIM.	TOL.
5mm DOWN	±0.2
5~20mm	±0.3
20~40mm	±0.4
40~60mm	±0.5
60~100mm	±0.8
100mm UP	±1.0

REVISIONS			
REV	DESCRIPTION	DATE	BY



				TITLE STRIKE, PUSH LATCH LARGE	
				MATERIAL POM/PC/SUS	
PART NUMBER 19630GA01PS				DRAWING NUMBER 25.04.24.19630.0.E	
COLOR BLACK				DRAWN E.B.	
UNLESS OTHERWISE SPECIFIED TOLERANCE SEE ABOVE				CHECK	
SIZE A4	SCALE NTS	UNIT mm.	REV A	APPROVED	