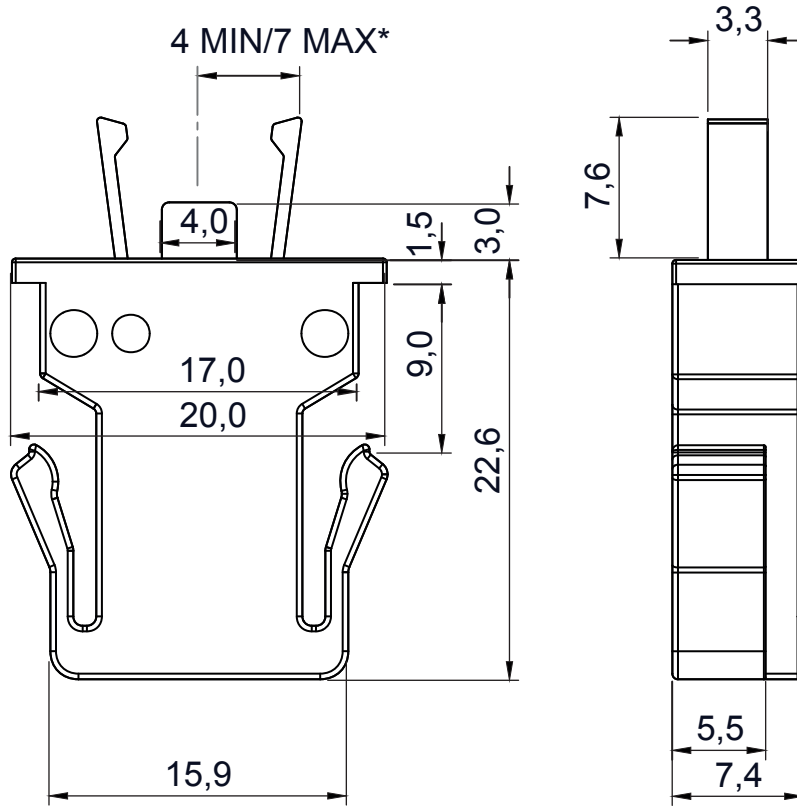
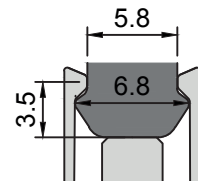


DIM.	TOL.
5mm DOWN	±0.2
5~20mm	±0.3
20~40mm	±0.4
40~60mm	±0.5
60~100mm	±0.8
100mm UP	±1.0

REVISIONS			
REV	DESCRIPTION	DATE	BY



MALE STRIKE PROFILE
DIMENSION REQUIREMENTS



MOUNTING HOLE	PANEL THICKNESS	
	MIN	MAX
17.0x17.2	8.0	8.0

*IT IS PERMISSABLE TO MANUALLY REALIGN THE JAWS IF THEY ARE OUT OF TOLERANCE

				TITLE PUSH LATCH, SLIM BASE	
				MATERIAL PA66 / PC-ABS / SUS	
PART NUMBER 19632GA01PS				DRAWN E.B.	
				DRAWING NUMBER 25.04.24.19632.0.E	
SIZE A4				COLOR BLACK	
SCALE NTS		UNIT mm.		UNLESS OTHERWISE SPECIFIED TOLERANCE SEE ABOVE	
REV A		APPROVED			