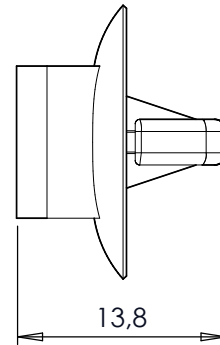
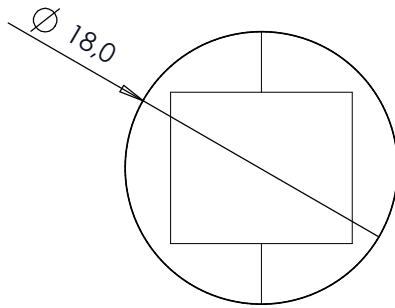
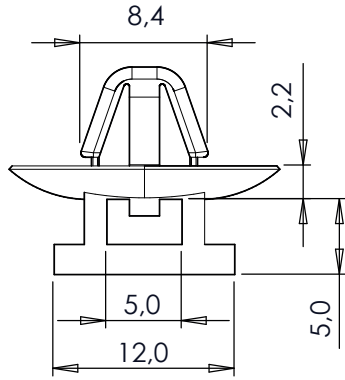


DIM.	TOL.
5mm DOWN	±0.2
5~20mm	±0.3
20~40mm	±0.4
40~60mm	±0.5
60~100mm	±0.8
100mm UP	±1.0

REVISIONS			
REV	DESCRIPTION	DATE	BY



P/N	COLOUR	HOLE SIZE	PANEL THICKNESS	
			MIN	MAX
19749AA01	BLACK	6,7 - 7,0	0,8	2,2
19749AA00	NATURAL	6,7 - 7,0	0,8	2,2

**MATCHES WITH CABLE TIES LESS THAN 5,0mm WIDE**

				TITLE <b>CABLE TIE PUSH CLIP MOUNT</b>	
				MATERIAL PA66	
PART NUMBER SEE TABLE DRAWING NUMBER 25.04.30.19749.0.E				DRAWN E.B.	
				COLOR SEE TABLE	
SIZE A4	SCALE NTS	UNIT mm.	REV A	UNLESS OTHERWISE SPECIFIED TOLERANCE SEE ABOVE	
				APPROVED	