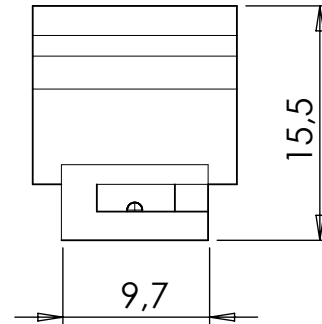
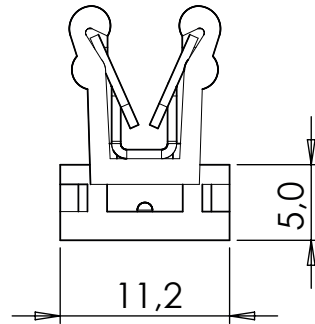
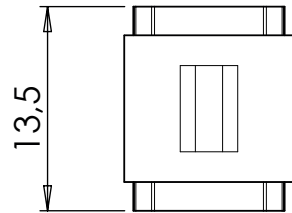


DIM.	TOL.
5mm DOWN	±0.2
5~20mm	±0.3
20~40mm	±0.4
40~60mm	±0.5
60~100mm	±0.8
100mm UP	±1.0

REVISIONS			
REV	DESCRIPTION	DATE	BY



P/N	NAME	MATERIAL	COLOUR	PANEL THICKNESS
1	CABLE TIES MOUNT BODY	PA66	BLACK	-
2	CABLE TIES MOUNT INSERT	SUS	SELF COLOUR	1,0 - 3,0

**MAX: 4,7 x 1,3mm CABLE TIE MOUNTED  
IN 2 DIRECTIONS ON PART TOP ELEVATION**

				TITLE <b>CABLE TIE TOP MOUNT EDGE CLIP</b>	
				MATERIAL SEE TABLE	
PART NUMBER 19751AA01				DRAWING NUMBER 25.04.30.19751.0.E	
				DRAWN E.B.	
SIZE A4				COLOR SEE TABLE	
				UNLESS OTHERWISE SPECIFIED TOLERANCE SEE ABOVE	
SCALE NTS		UNIT mm.		REV A	