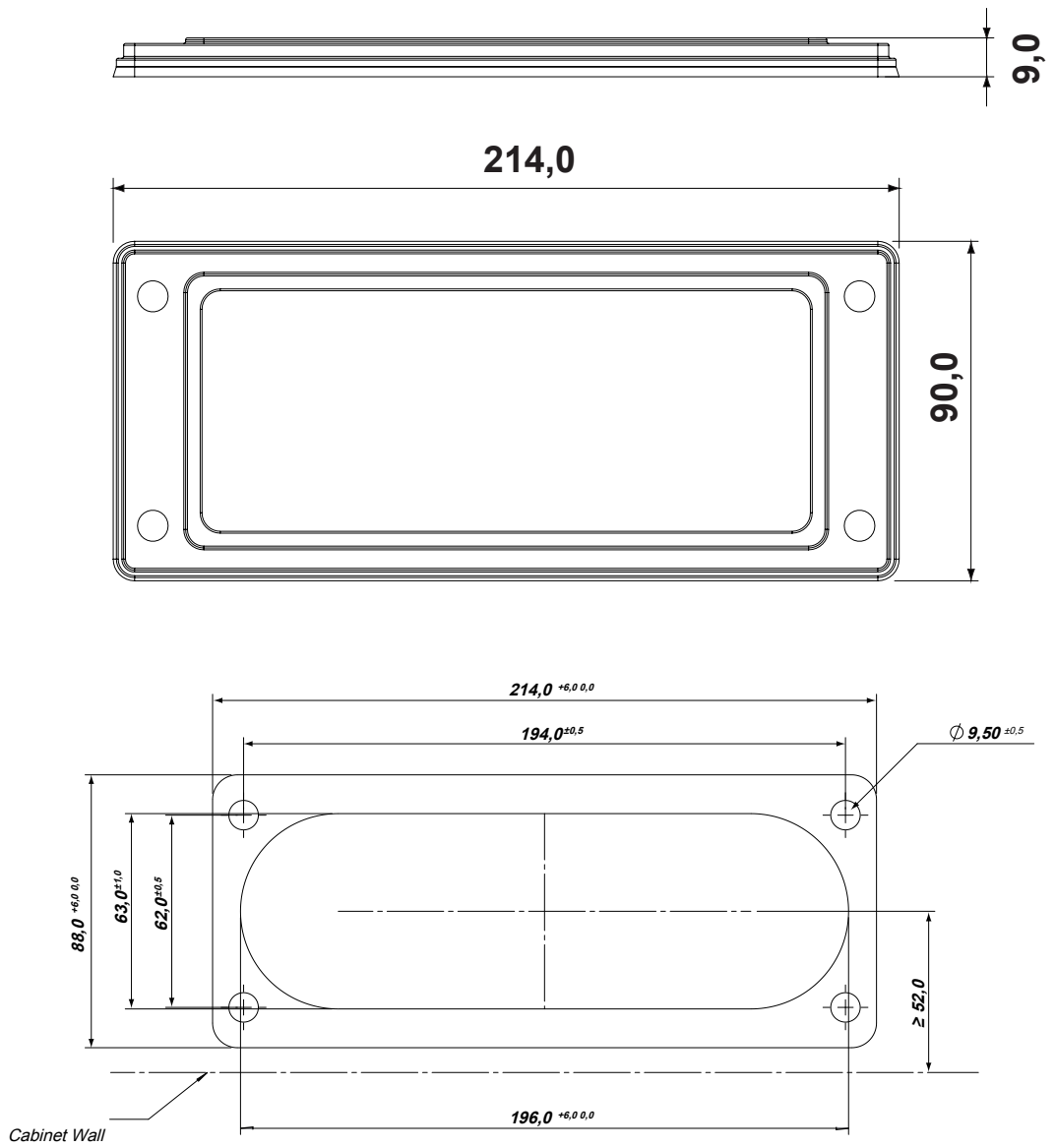


REVISIONS			
REV	DESCRIPTION	DATE	BY




FL 21

P/N	color
9050FA019005	9005
9050FA117035	7035

PROTECTION INDEX IP 65

WORKING TEMPERATURE -20°C....+125°C

				TITLE FRAME CABLE GLANDS	
				MATERIAL Fiberglass/Polypropylene/TPE	DATE 27/05/2022
PART NUMBER SEE ABOVE				DRAWN A.C.	
DRAWING NUMBER 22.05.27.9050.0.E				CHECK	
SIZE A4	SCALE NTS	UNIT mm.	REV A	COLOR SEE ABOVE	
UNLESS OTHERWISE SPECIFIED TOLERANCE SEE ABOVE				APPROVED	